



**SPRINGFIELD
ARMORY**

911 Manual

Operation & Safety Manual

IMPORTANT SAFETY INFORMATION INSIDE

Read this manual before handling this firearm. Keep this manual with your firearm and review it before each use.

Do not allow others to handle or fire your firearm until they have read this manual.

Transfer this manual with the firearm upon ownership change.

THIS MANUAL IS FOR 911 FIREARMS ONLY.

Be a responsible firearm owner. Use it safely, store it securely, and always transfer a firearm responsibly and legally.

BEFORE LOADING AND FIRING THIS FIREARM, READ AND UNDERSTAND THE INFORMATION IN THIS MANUAL.

This is an auto loading firearm. It is immediately loaded and ready to fire again after each shot until all cartridges loaded in magazine have been fired. The firearm is able to fire both with and without the magazine in place. **REMOVING THE MAGAZINE DOES NOT UNLOAD THE FIREARM NOR DOES IT ENGAGE A SAFETY. THE FIREARM IS NOT UNLOADED UNTIL THE MAGAZINE IS REMOVED AND THE CHAMBER IS EMPTY.**

ABOUT YOUR OWNER'S MANUAL

This is an instruction booklet on how to operate this firearm with some basic safe handling rules. It does not attempt to provide information about using a firearm to defend yourself, how to hunt, or for competitive or target shooting. It is important to receive training from a competent firearms instructor prior to engaging in any of these activities. The National Rifle Association, your local or state authorities, or your firearm dealer may provide information regarding available instructors or training courses. If you have a license to carry concealed, never do so without prior instruction from a certified instructor. Using a firearm for self defense is a complex subject with dangers and risks for which you must be properly trained. Every safety rule has a reason behind it - read the rules carefully and understand why each is important for safety.

It is recommended that every person receive instructions from a competent firearms instructor before handling this or any other firearm.

Know and obey all firearms laws and regulations, which may vary from city to city and state to state. Do not give a firearm to someone who is not allowed to own a firearm or who may use it for a criminal purpose.

USED FIREARMS

If you purchased this firearm as a used firearm, have it inspected and tested by a competent pistolsmith before you use it. Firearms are sometimes altered and may require repair before they can be used safely.

STORE FIREARMS SAFELY IN THE HOME

Store firearms unloaded, locked and in a secure place. Obey firearm storage laws. Store firearms and ammunition separately. Because your children may be in other homes where firearms are stored, you should show them what to do if they see or find

a firearm by showing them the Eddie Eagle video available from the NRA by calling (703) 267-1000.

OBEY ALL FIREARMS LAWS WHEN BUYING AND SELLING FIREARMS . NEVER BUY A FIREARM INTENDING TO TRANSFER IT TO SOMEONE WHO IS PROHIBITED FROM OWNING FIREARMS . NEVER EVER BE A "STRAW 3 PURCHASER ."



PG4-KnowYourFirearm

- 1 Front Sight
- 2 Disassembly Notch
- 3 Loaded Chamber Indicator (Top of Slide)
- 4 Rear Cocking Serrations
- 5 Rear Sight
- 6 Hammer
- 7 Manual Thumb Safety
- 8 Mainspring Housing

- 9 Front Strap
- 10 Magazine Release
- 11 Trigger
- 12 Slide Stop Lever
- 13 Frame
- 14 Recoil Spring System (Internal)
- 15 Slide
- 16 Muzzle

LOADED CHAMBER INDICATOR

Your 911 firearm has a loaded chamber indicator (See Figure 15-1). The indicator allows you to observe whether a cartridge is in the chamber. When a cartridge is in the chamber the indicator raises above the barrel (See Figure 15-2) . **When the loaded chamber indicator is up, the firearm is loaded and is ready to fire.**



Figure 15-1

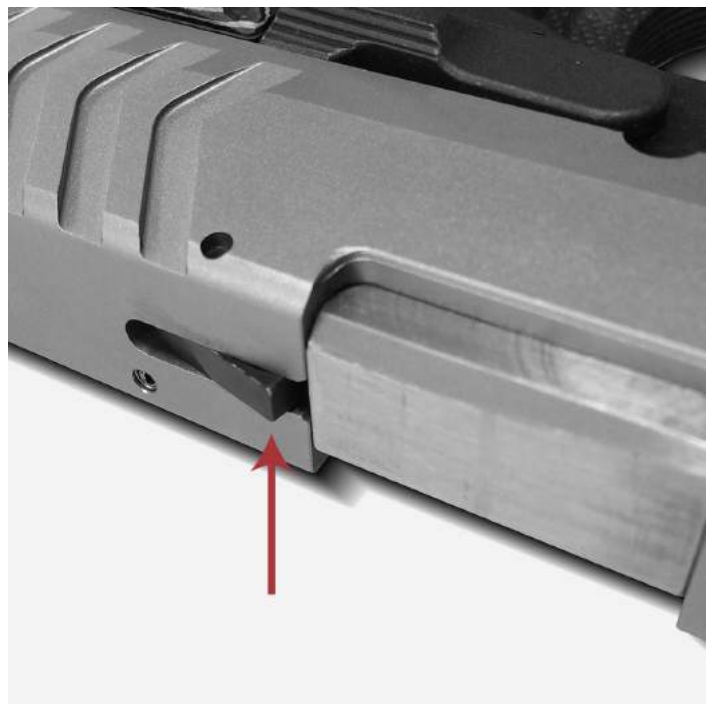


Figure 15-2



WARNING: Even though the chamber is empty there may be cartridges in the magazine. The firearm is not completely unloaded until the magazine is removed and the chamber is empty.



WARNING: Never trust a safety. Always assume the firearm is loaded.

FRONTFIBER OPTIC INSTALLATION

WARNING: Make sure the firearm is completely unloaded, magazine removed and chamber clear. Move safety lever to safe position

1. With a suitable heat source; i.e., Butane lighter, carefully begin to melt one end of the filament by positioning it close to the flame until a bulb forms the same size as the pocket in the serrated face of the front sight. **DO NOT LET THE FILAMENT TOUCH THE FLAME AS THIS WILL CLOUD THE BULB** (See Figure 22-1).

2. Insert the filament into the sight from the serrated face of the sight and pull the filament through the sight until the bulb rests in the pocket (See Figure 22-2).

3. If the bulb is larger than the pocket, cut off the bulb only and repeat the melting process until the bulb fits properly.

4. Now cut the filament with a razor blade or fingernail clippers approximately 1/16 of an inch longer than the sight. Using the same melting process, form a bulb on the muzzle end of the sight locking the fiber optic filament in place (See Figure 22-3).



Figure 22-1



Figure 22-2



Figure 22-3

SAFETY RULES

READ AND UNDERSTAND THESE SAFETY RULES

Be A Safe Firearm Owner.

ACCIDENT (ak´ si dent) N. 1. An unintentional or unexpected happening that is undesirable or unfortunate, especially one resulting in injury, damage, harm or loss.

Don't be the cause of an accident.

A responsible firearm owner is safety minded and always handles firearms in a safe manner by following the basic rules of safe shooting and by using common sense in the handling of a firearm.

Store firearms unloaded, locked, and in a secure place. Keep keys for locks separate from lock and in a secure place away from children. Keep firearms out of reach of children. You are responsible for children's safety.

Be A Responsible Firearm Owner.

- **Treat all firearms as if they are loaded at all times.**
-
- Although many safety mechanisms are designed into your firearm, firearm safety still depends on you being a responsible firearms owner.
-
- Never point a firearm at any person or thing you do not intend to shoot. Treat every firearm as if it is loaded.
-

- Be sure you have positively identified your target.
-

- **ALWAYS KEEP THE MUZZLE POINTED IN A SAFE DIRECTION.**

- **Do not drop your firearm.** Make sure you maintain control of your firearm at all times. **If it falls, it may fire.** If you do drop it, unload it and examine it to be sure it works correctly. Do not attempt to fire it again until you have completed this safety check.
-

- Never put your hand over the muzzle of the firearm.
-

- Keep your finger(s) off the trigger and out of the trigger guard until you are actually aiming at your target, and made the decision to fire.
-

- Under no circumstances should the owner of this firearm allow it to come into possession of or be handled by small children or a mentally handicapped individual.
-

- **DO NOT COVER THE EJECTION PORT WITH YOUR HANDS WHEN LOADING/UNLOADING YOUR FIREARM.**

BE A RESPONSIBLE FIREARM OWNER!

- Never rely on a firearm's "safety features" to protect you from unsafe firearm handling. A safety is only a mechanical device, not a substitute for common sense.
-

- Keep your finger off the trigger until you are on target and have made the DECISION to fire.
-

- Be sure of your target and backstop before you shoot. Ask yourself what your bullet will hit if it misses or goes through the target.
-

- Before shooting, be sure the barrel is clear of obstructions, including excessive oil and grease.
-

- Do not let water, snow, mud or other materials enter the barrel.
-

- Do not pull a firearm toward you by the muzzle.
-

- Always hold your firearm so you control the direction of its muzzle in case you fall or stumble.
-

- **ALWAYS KEEP THE MUZZLE POINTED IN A SAFE DIRECTION.**

- If anything does get into the barrel, remove cartridges, and clean bore immediately before attempting to shoot. Obstructed barrels can burst and injure you and/or bystanders.
-

- Maintain possession of your firearm at all times when you are on the firing range or during target practice. **DO NOT ALLOW OTHERS TO HANDLE YOUR FIREARM UNLESS THAT PERSON IS BEING INSTRUCTED OR TRAINED.**
-

- **DO NOT COVER THE EJECTION PORT WITH YOUR HANDS WHEN LOADING/UNLOADING YOUR FIREARM.**
-

BE A SAFE FIREARM OWNER!

- **ALWAYS KEEP THE MUZZLE POINTED IN A SAFE DIRECTION.**

- Firearms and alcohol or drugs do not mix. Do not take them before or during shooting activities. Your vision, coordination and judgment could be impaired, making firearm handling unsafe.
-

- When taking medication, seek a doctor's advice to be sure you can operate and handle your firearm safely.
-

- Receive training from a competent firearms instructor before using any firearm.
-

- Before attempting to shoot, practice operations by using snap caps (dummy rounds). Become familiar with the safety features, trigger control, and handling of the firearm.
-

- Make sure you maintain control of your firearm at all times.

- Always keep and carry your firearm with an empty chamber until you intend to shoot, so your firearm cannot be fired unintentionally.

- Firearms should be unloaded when not in use. This means both the chamber and magazine are empty.

- When transferring a firearm by hand, always open the action and check to assure that it is unloaded prior to handing it over to someone.

- Never take anyone's word that a firearm is unloaded. When receiving a firearm, always open the action and check that it is unloaded.

- **Do not try to change your firearm's trigger pull, because alterations of trigger pull usually affect sear engagement and might cause accidental firing.**

- Never use a firearm that jams or fails to function properly. Should this occur, return to Springfield, Inc. for warranty/repair.

- If your shot sounds weak or underpowered, it could mean a bullet is in the chamber/bore. The firearm should be immediately unloaded and the chamber/bore checked for obstructions before re-firing.

- **DO NOT "HORSEPLAY"** with a firearm. Your firearm cannot think ...but you can. Firearm safety depends on you.



WARNING: The firearm is a dangerous weapon if not handled properly.



IMPORTANT WARNING: There is no safe way to discharge a firearm in a home or apartment. Bullets will go through walls, floors, furniture, and appliances and still cause serious injury or death to persons in the house, next door, or outside. Accidental discharges indoors ALWAYS result in property damage or personal injury.

READ THESE RULES!

- Load firearm only when on range preparing to fire. Unload it before leaving range.

- **Treat every firearm as if it is loaded... all the time!**

- Load and unload with the firearm muzzle pointed in a safe direction.

- Be certain firearm is unloaded before cleaning.

- Completely unload your firearm before storing, traveling, standing it against an object, laying it down, entering a house, car, truck, boat, RV/camper, building, or handing it to someone.

- **Never leave a loaded firearm unattended.**

- Tragedy may result if a child finds your firearm and plays with it. Keep every firearm secure. Children do not believe firearms can kill.

- Store firearms and ammunition separately. Both should be placed beyond children's reach.

- Obey all laws regarding the storage and security of firearms in the home.

- Know and obey the laws regarding the transportation and carrying of firearms.

- **Never carry any firearm, loaded or unloaded, in your pocket, purse or tucked in your belt or waistband. Use a firearm case or a proper holster**

- **Old or reloaded ammunition may cause damage to the firearm and/or injure you or others .**

- **ALWAYS REMEMBER, REMOVING THE MAGAZINE DOES NOT UNLOAD THE PISTOL NOR DOES IT ENGAGE A SAFETY.**

- **ALWAYS REMEMBER, THE PISTOL IS NOT UNLOADED UNTIL THE MAGAZINE IS REMOVED AND THE CHAMBER IS EMPTY.**

- **ALWAYS REMEMBER, THIS FIREARM IS ABLE TO FIRE WITH OR WITHOUT THE MAGAZINE IN PLACE.**

- **DO NOT COVER THE EJECTION PORT WITH YOUR HANDS WHEN LOADING/UNLOADING YOUR FIREARM.**



WARNING: The 911 pistol in .380ACP can be operated only with ammunition that conforms to SAAMI specifications. The use of reloaded and/or +P ammo will void the warranty as the pressures may exceed SAAMI specifications, which may be unsafe. Do not use ammunition that does not conform to SAAMI specifications. If you are unsure if your ammunition is manufactured to SAAMI specifications be sure to contact the ammunition manufacturer to verify prior to use.

TREAT EVERY FIREARM AS IF IT IS LOADED ... ALL THE TIME!

- Many ammunition identifications sound similar. Make sure you use the right caliber/size ammunition in your firearm.

- If firearm fails to fire when the trigger is pulled, keep it pointed at the target for at least 30 seconds. Remove the magazine before opening the action. Remove the

cartridge from the chamber. Sometimes slow primer ignition will cause a “hang fire” and the cartridge will go off after a short pause.

- When group firing, always appoint someone to maintain safety control. Obey his/her commands immediately and completely.

- While shooter is loading, firing, and unloading, spectators need to remain behind the shooter.

- **Always wear protective glasses when shooting.**

- **Always wear hearing protection when shooting.**

- Never shoot at hard flat surfaces or water; bullets will ricochet unpredictably.

- Do not alter or modify your firearm.

- Have your firearm serviced regularly by a qualified pistolsmith.

- Discharging firearms in poorly ventilated areas, cleaning firearms, or handling ammunition may result in exposure to lead and other substances known to cause birth defects, reproductive harm, cancer and other serious physical injury. Have adequate ventilation at all times. Wash hands thoroughly after firing your firearm, after cleaning your firearm, or whenever you have handled ammunition.

- Always use quality ammunition.

- **ALWAYS KEEP THE MUZZLE POINTED IN A SAFE DIRECTION.**

- **DO NOT COVER THE EJECTION PORT WITH YOUR HANDS WHEN LOADING/UNLOADING YOUR FIREARM.**

HANDLING

We want you to be a safe, satisfied firearm owner.

Before attempting to load this firearm with live ammunition, follow the sequence of operations shown here without ammunition or with snap caps. By practicing operations with snap caps, you will become familiar with:

- Safety features

- Trigger control (snap caps)

- Handling of your firearm.

As a result, you will be a safer, more confident user when aiming at your first target.

NOTE: Extensive dry firing can accelerate component wear/stress. Use snap caps if dry firing on a regular basis.



WARNING: When you squeeze the trigger, you must expect the firearm to fire. You must take full responsibility for firing it. Your care can avoid accidental discharge and thereby avoid accidental injury and death.

THUMB SAFETY

The 911 is a single action only pistol. The 911 incorporates many safety features, such as the firing pin safety, hammer half cock position and disconnect. The 911 also features an integrated thumb safety. The thumb safety blocks hammer movement and can be engaged with the hammer cocked or hammer down.

Move the thumb safety completely upward to safe position. The thumb safety is ON (safe) when fully up (See Figure 13-1).

Move the thumb safety completely down to fire position. The thumb safety is OFF (FIRE) when fully down. When the thumb safety is down, the hammer is free to fall when the trigger is pulled (See Figure 13-2).

The slide can be cycled when the thumb safety is engaged with the hammer cocked (See Figure 13-3). When the thumb safety is engaged with the hammer down, slide movement is blocked (See Figure 13-4).

NOTE: The single action trigger mechanism, along with the thumb safety, ensures safe carrying of the 911. The firing pin safety blocks the firing pin until the trigger is pulled. The hammer half cock position prevents the hammer from contacting the firing pin unless the trigger is pulled. The disconnecter prevents the hammer from falling if the slide is not fully closed.



Figure 13-1



Figure 13-2



Figure 13-3



Figure 13-4

WARNING!

- **When the pistol is loaded, the thumb safety must be completely upward in the safe position until ready to fire. Failure to engage the thumb safety can lead to accidental discharge, causing injury, death or damage to property.**

- **After each discharge, the pistol is in the cocked and ready to fire condition. When shooting is complete, you must engage the thumb safety or unload the pistol.**

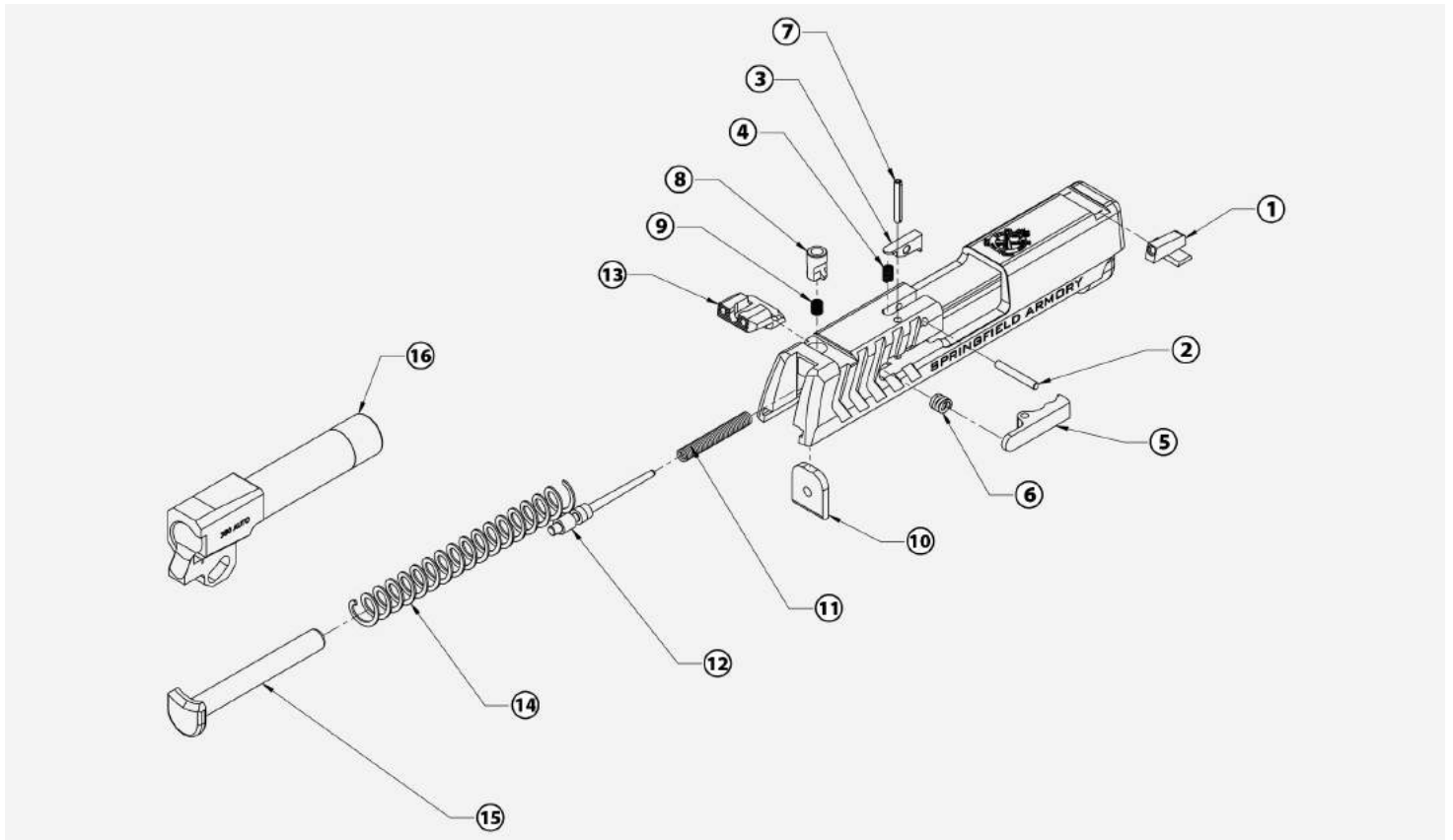
- **DO NOT disengage the thumb safety while pressing the trigger - the firearm will discharge when the thumb safety is moved into the OFF (FIRE) position when the trigger is depressed.**

- **The half cock position is not designed to be used as a safety when carrying the pistol. DO NOT carry the pistol at half cock position.**

- **DO NOT manually lower the hammer with your thumb while pressing the trigger.**

- **To properly lower hammer, make sure the pistol is completely unloaded, magazine removed and pointed in SAFE direction then press trigger (dry fire).**

911 SLIDE PARTS LIST (.380 ACP & 9MM)

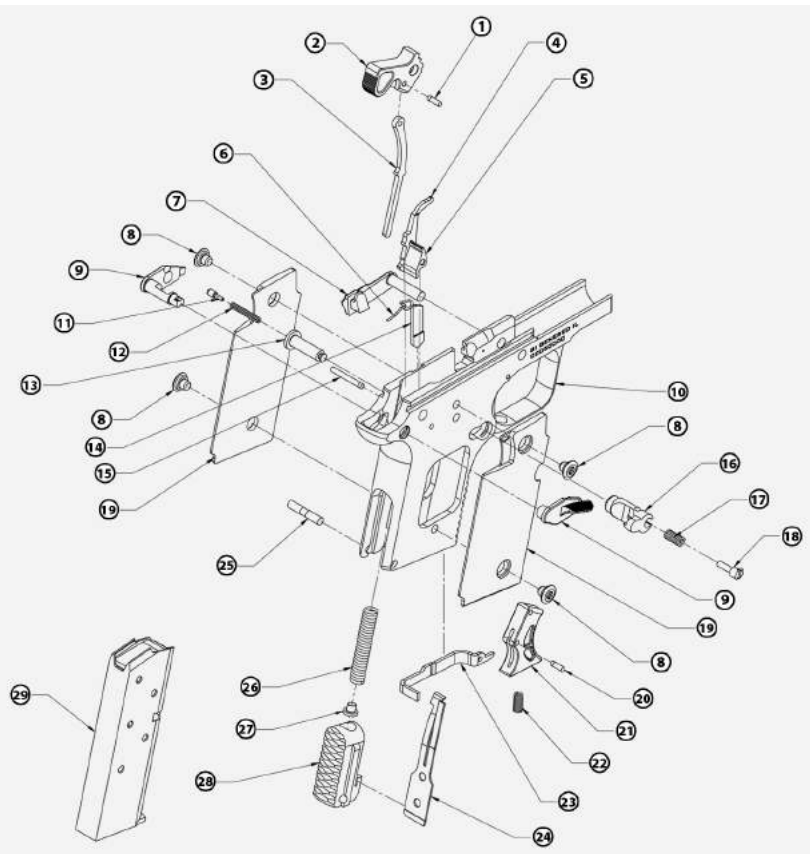


Pg31-911Slide

- 1** Front Sight
- 2** Loaded Chamber Indicator Pin
- 3** Loaded Chamber Indicator
- 4** Loaded Chamber Indicator Spring
- 5** Extractor
- 6** Extractor Spring
- 7** Extractor Pin
- 8** Firing Pin Block
- 9** Firing Pin Block Spring
- 10** Firing Pin Stop
- 11** Firing Pin Spring
- 12** Firing Pin

- 13 Rear Sight
- 14 Recoil Spring
- 15 Recoil Spring Guide
- 16 Barrel

911 FRAME PARTS LIST (.380 ACP & 9MM)



Pg33-911Frame

- 1 Hammer Strut / Trigger Bar Pin
- 2 Delta Hammer
- 3 Hammer Strut
- 4 Ejector Extended
- 5 Sear
- 6 Slide Stop Spring
- 7 Slide Stop

- 8** Grip Screw
- 9** Carbon Ambi Thumb Safety
- 10** Enhanced Frame
- 11** Safety Detent Plunger
- 12** Safety Plunger Spring
- 13** Hammer Pin
- 14** Disconnecter
- 15** Sear Pin
- 16** Magazine Catch
- 17** Magazine Catch Spring
- 18** Magazine Catch Lock
- 19** Grips
- 20** Hammer Strut / Trigger Bar Pin
- 21** Trigger Shoe
- 22** Trigger Spring
- 23** Trigger Bow
- 24** Sear Spring
- 25** Mainspring Housing Pin
- 26** Mainspring
- 27** Mainspring Pin Lock
- 28** Enhanced Flat & Checkered Mainspring Housing
- 29** Magazine

LOADING / PREPARING TO FIRE

1. Place the EMPTY magazine in the magazine well, located in bottom of firearm grip. Make sure the magazine is EMPTY or you will inadvertently load the firearm. Push firmly enough on bottom of magazine to make sure it is properly seated. A distinctive “click” will confirm the magazine has been properly inserted. Pull the slide completely to the rear until it locks back.

2. Depress magazine release and remove magazine.

3. Ensure that you are using the proper caliber ammunition for your firearm. Place rim of first cartridge on front of follower (See Figure 16) then push the cartridge down on the follower and slide the cartridge under the lips of the magazine completely to the rear. Load successive rounds by pushing cartridge down on previously loaded cartridge. Use only clean, dry, original, high-quality, commercially manufactured ammunition. Using reloaded ammunition may void warranty.

4. **POINT FIREARM IN A SAFE DIRECTION AND KEEP FINGER OFF TRIGGER.** Re-insert **LOADED** magazine into magazine well, located in bottom of firearm grip. Push firmly enough on bottom of magazine to make sure it is properly seated.

5. **WARNING: Never touch the trigger when loading or unloading the firearm.**

6. **CAUTION: Do not slam or forcefully jam magazine into magazine well.**

7. Depress the slide stop lever to allow slide to move forward and load a cartridge from the magazine into the chamber.

8. The loaded chamber indicator will be in the up position (See Figure 15-2).

9. Move thumb safety fully upward to safe position (See page 13-1). **NOTE:** Thumb safety can be moved to safe position when the hammer is cocked or down.

10. **CAUTION: Never load cartridge by hand directly into the chamber.**

11. **CAUTION:** The firearm is now ready to fire.

12. **CAUTION:** Do not cover the ejection port with your hand when loading or unloading your firearm

NOTE: An alternative method to load the cartridge into the chamber is to forcefully pull the slide completely to the rear and in one motion quickly release it, allowing the slide to slam forward unimpeded under its own force. (Do not hold the slide as it moves forward. “Riding the slide” in this manner can cause cartridge to jam or misfeed.) The loaded chamber indicator will be in the up position (See Figure 15-2).



Figure 16-1

FIRING

If you have never fired a firearm before, follow the sequence of operations shown here without ammunition or with snap caps. Then load only **one** cartridge into the magazine for your first live ammunition firing.

1. POINT FIREARM IN A SAFE DIRECTION WHILE KEEPING YOUR FINGER OFF OF THE TRIGGER.

2. Load cartridge into chamber from magazine following the procedure described on page 16. Move thumb safety fully upward to safe position (See page 13-1).

3. CAUTION: THE FIREARM IS NOW READY TO FIRE . BE PREPARED FOR NOISE AND RECOIL WHEN FIREARM FIRES .

4. Aim firearm at target by aligning sights (See Figure 34-1). Move thumb safety fully downward to the FIRE position.

5. Now lightly place finger on trigger, and slowly squeeze trigger to fire the firearm. Spent cartridge is expelled up and to the right.

6. This firearm will automatically be ready to fire again after each shot until all cartridges loaded in magazine have been fired. **NOTE:** This only applies when there is more than one round in magazine.

7. When last cartridge has been fired, slide will lock open and remain to rear.

8. Always re-engage safety after firing.

This is an auto loading firearm. It is immediately loaded and ready to fire again after each shot until all cartridges loaded in magazine have been fired. The firearm is able to fire both with and without the magazine in place. **REMOVING THE MAGAZINE DOES NOT UNLOAD THIS FIREARM NOR DOES IT ENGAGE A SAFETY. THIS FIREARM IS NOT UNLOADED UNTIL THE MAGAZINE IS REMOVED AND THE CHAMBER IS EMPTY.**



WARNING: Loading by manually inserting a round in the chamber is improper and may cause accidental discharge and possible damage to the extractor . Always load the firearm using the magazine . When loading the firearm, always point the muzzle in a safe direction



WARNING: The 911 pistol can be operated only with ammunition that conforms to SAAMI specifications. The use of reloaded ammo will void the warranty as the pressures may exceed SAAMI specifications, which may be unsafe. Do not use ammunition that does not conform to SAAMI specifications. If you are unsure if your ammunition is manufactured to SAAMI specifications be sure to contact the ammunition manufacturer to verify prior to use.

UNLOADING / CLEARING

If slide is already in “locked back” position: (See Figure 18)

1. Move thumb safety fully upward to safe position ([See Safety Device Section](#)).

2. POINT FIREARM IN SAFE DIRECTION WHILE KEEPING YOUR FINGER OFF OF THE TRIGGER.

3. Press magazine release button to remove magazine.

4. From above and rear, carefully inspect chamber to make sure it is empty.

When magazine has been removed and when chamber is empty, a firearm lock can be installed. ([See Cable Lock Section](#)) Firearm can now be safely stored in a secure place.

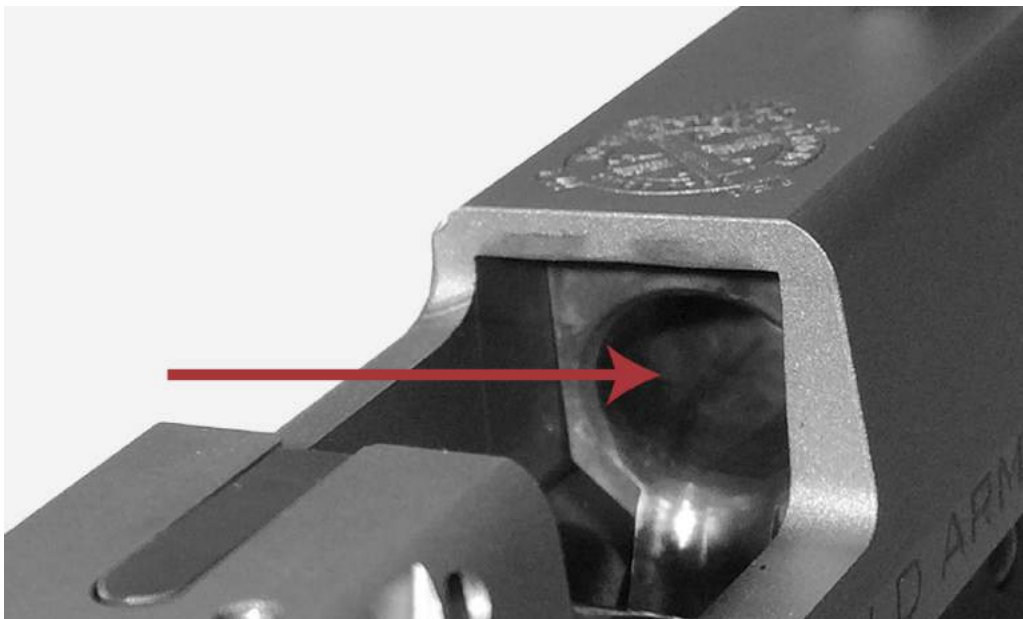




Figure 18-1

If slide is forward:

1. Move thumb safety fully upward to safe position ([See Safety Device Section](#)).

2. POINT FIREARM IN SAFE DIRECTION WHILE KEEPING YOUR FINGER OFF OF THE TRIGGER.

3. Press magazine release button to remove magazine.

4. While holding slide in rearward (open) position, carefully inspect chamber making sure it is empty (See Figure 19)

Move thumb safety fully upward to safe position ([See Safety Device Section](#)). 2. POINT FIREARM IN SAFE DIRECTION WHILE KEEPING YOUR FINGER OFF OF THE TRIGGER. 3. Press magazine release button to remove magazine. 4. While holding slide in rearward (open) position, carefully inspect chamber making sure it is empty (See Figure 19)

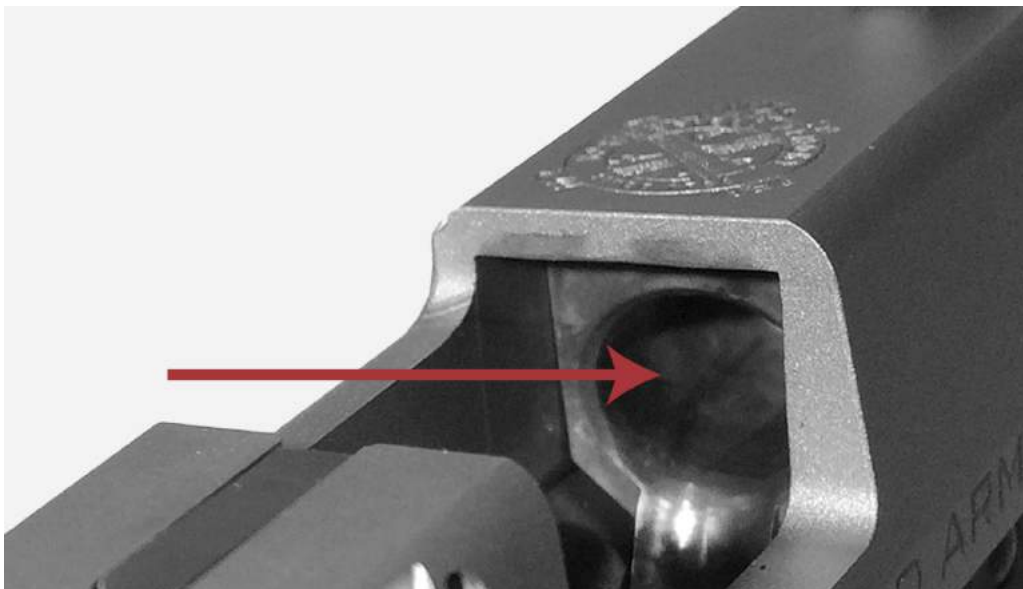




Figure 19-1



WARNING: Do not cover the ejection port with your hand when loading/unloading your firearm

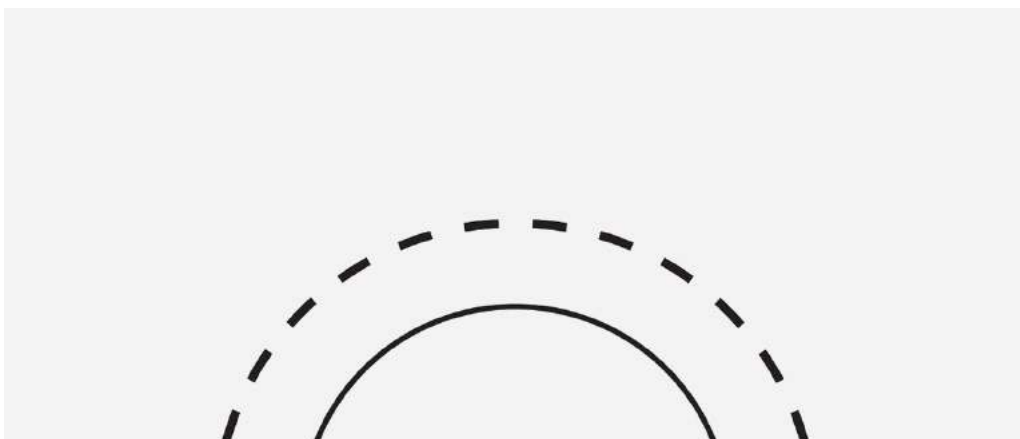


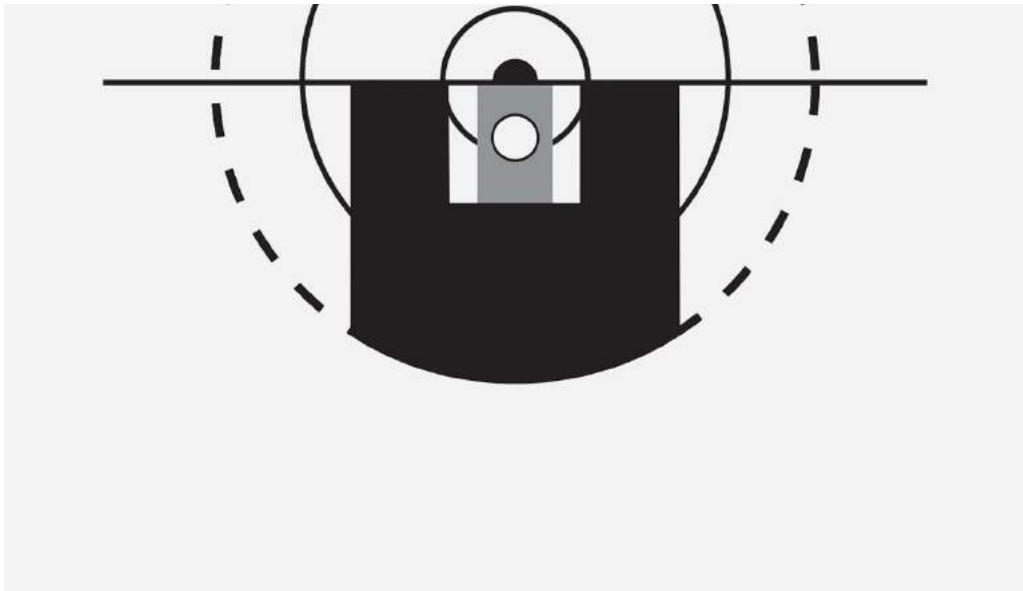
WARNING: Firearm is not empty or unloaded until the magazine is removed and the chamber is empty. Never touch the trigger when loading or unloading the firearm.

POINT OF AIM

Point of Impact

The users may use a “point of aim” sight picture at 25 yards (See Figure 34-1). This means that, at 25 yards, the bullet should impact the target at the point visible at the top of the front sight. Springfield, Inc. firearms are regulated to shoot point of aim, point of impact. Changing brand or type of ammunition may alter point of impact as well as user’s technique.





Hellcat Figure 52-1



CAUTION: Use only clean, dry, original, high-quality, commercially manufactured ammunition.

MALFUNCTION WARNING!

If cartridge hangs up, jams or binds when being chambered from magazine into chamber, do not attempt to force it into the chamber by pushing or striking slide.

DO NOT COVER THE EJECTION PORT WITH YOUR HANDS WHEN LOADING/UNLOADING YOUR FIREARM.

1. Move thumb safety fully upward to safe position ([See Safety Devices Section](#)).
2. Firmly hold firearm pointed in a safe direction while keeping your finger off of the trigger. • Remove magazine.
3. Pull back on slide and allow cartridge to fall from firearm.
4. Do not cover the ejection port with your hands when loading / unloading your firearm.
5. If cartridge does not fall free, pull slide back and lock it back with slide stop.

6. Carefully dislodge cartridge.

7. If cartridge cannot be removed, lock slide back, apply safety, carefully store your firearm and magazines and take it to a pistolsmith. (USE SUPPLIED CABLE LOCK).
([See Cable Lock Section](#))

Most failures to feed or chamber a cartridge are the result of a damaged magazine, improper firearm handling or defective ammunition.

Whatever the cause, a jammed cartridge can be a dangerous situation.



Figure 20-1



WARNING: Always have firearm pointed in a safe direction. Failure to obey safety information may result in injury to you or others.

TO ELIMINATE MALFUNCTIONS

- First try changing type/brand of ammunition and/or magazine.

- If changing to another type/brand of ammunition and/or magazine does not at once result in smooth feeding of cartridges from magazine to chamber, the following steps should be taken:

- Make certain chamber and magazine are unloaded. Magazine should be removed first. Check chamber to be sure it and magazine well are clear of cartridges.

- Thoroughly clean magazine, paying particular attention to removing accumulated residue.

- Thoroughly clean breech mechanism of firearm. Use a bristle brush and solvent to remove residue and fouling from breech face, extractor, chamber and feed ramp. ([See Care & Cleaning Section](#)).

- Check that magazine spring tension is adequate; the spring should hold the follower tightly against the lips of the magazine.

- Check that magazine lips are free of nicks and burrs and are not deformed.

- Remove excess oil and solvent from all cleaned components, load magazine and try firearm again.



WARNING: An obstructed, cracked, or damaged barrel should never be used and the firearm should be returned to Springfield for inspection.

FIELD STRIP 911

NOTE: FIELD STRIPPING PROCEDURES ON THE 911 ARE THE SAME REGARDLESS OF CALIBER. Before performing any cleaning or maintenance, make sure the firearm is completely unloaded (this includes the magazine and chamber). Wear eye protection.

ALWAYS REMEMBER THE FIREARM IS ABLE TO FIRE WITH OR WITHOUT THE MAGAZINE IN PLACE.

1. **POINT FIREARM IN SAFE DIRECTION WHILE KEEPING FINGER OFF THE TRIGGER.**

2. Remove magazine and unload firearm.

3. Draw back the slide to the rear stop position and lock it open, pushing up the slide stop lever (See Figure 23-1). NOTE: If step 3 is difficult, use this alternative method of locking slide to the most rearward position: Place **EMPTY** magazine in the magwell, pull slide completely to the rear until it locks back. Make sure the magazine is **EMPTY** or you will inadvertently load the firearm. Then remove magazine and proceed.

4. Visually inspect the chamber to confirm the firearm is unloaded (See Figure 23-2).

5. Lower the slide to closed position.

6. Manually retract the slide until the slide disassembly notch is aligned with the slide stop tab (See Figure 24-1) and remove slide stop.

7. Move the complete slide assembly forward and off the frame (See Figure 24-2).

8. Remove the recoil system from the slide (See Figure 25-1).

9. Remove the barrel from the slide (See Figure 25-2).

The firearm is now fully field stripped and ready for cleaning.



Figure 23-1

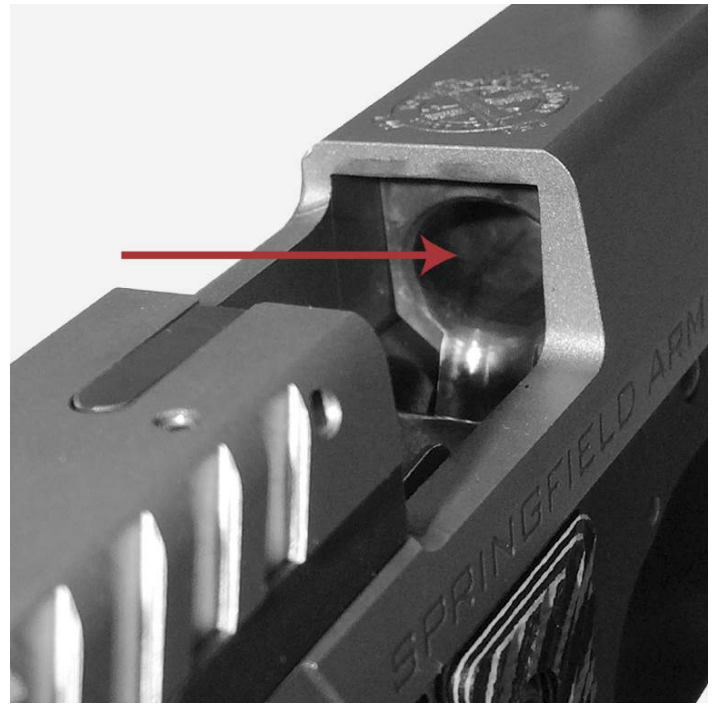


Figure 23-2



Figure 24-1



Figure 24-2



Figure 25-1



Figure 25-2



WARNING: If you disassemble your Springfield Armory® firearm, do so properly. Improper disassembly and/or assembly will create unsafe conditions that could result in injury or death, or a firearm that simply will not work. Don't take chances. Do not attempt to disassemble this or any other firearm until you have received training and instructions from a competent gunsmith.



WARNING: Do not over rotate thumb safety when slide is removed. Over rotating the thumb safety with the slide removed will cause the safety detent plunger and spring to eject forcefully from the frame. This could cause personal injury.



CAUTION: Slide is under spring tension. Maintain control. Do not grip the slide in the area of the muzzle or ejection port.



WARNING: Further dismantling is not necessary and should only be done by Springfield, Inc. or a qualified gunsmith.

REASSEMBLY

NOTE: REASSEMBLY PROCEDURES ON THE 911 ARE THE SAME REGARDLESS OF CALIBER.

1. Install barrel into slide (See Figure 26-1) insuring that the top of the chamber of the barrel is flush with the top of the slide (See Figure 26-2).

2. Reinstall the recoil system insuring it is properly aligned (Figure 26-3). If interference is encountered, remove the slide assembly and make sure the barrel is properly seated and the recoil system is properly aligned. **NOTE: IMPROPERLY ALIGNED RECOIL SYSTEM OR BARREL POSITION WILL CAUSE REASSEMBLY PROBLEMS. NEVER FORCE SLIDE ASSEMBLY ONTO FRAME.**

3. Move slide assembly onto rails and depress ejector to allow slide to move to proper position (See Figure 27-1). **NOTE:** The ejector should be depressed ONLY far enough to provide clearance for the slide during assembly.

4. At this position, partially install slide stop pin. Retract slide until slide stop window and slide stop tab are in alignment (See Figure 27-2). Slide stop can now be fully seated.

5. Lower the slide.

6. Reassembly is now complete.



Figure 26-1



Figure 26-2



Figure 26-3



Figure 26-4

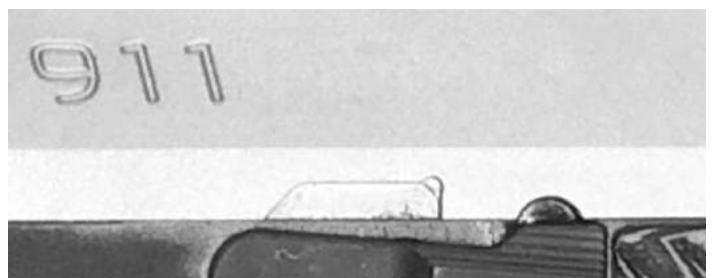




Figure 27-1



Figure 27-2

CARE & CLEANING

KEEP YOUR FIREARM CLEAN AT ALL TIMES

Basic materials needed:

- Cleaning rod of proper size with bristle bore brushes (fiber or brass) and tip into which cleaning patch can be inserted.

- Cloth patches

- Powder solvent

- Lubricating oil

- Small lint-free cloths for wiping and oiling

- Bristle brush for scrubbing dirt off breech face, extractor, magazine lips, follower, etc.

Use proper size bore brushes and patches - if they are too small they won't do the job, and if they are too large they will bind inside bore.

When possible, insert cleaning rod from chamber end of barrel and push rod all the way through so it emerges from muzzle.

Do not "reverse" rod direction when patch or brush is in barrel, it might bind.

Use proper size bore brushes and patches - if they are too small they won't do the job, and if they are too large they will bind inside bore. When possible, insert cleaning rod from chamber end of barrel and push rod all the way through so it emerges from muzzle.

Do not "reverse" rod direction when patch or brush is in barrel, it might bind.

NOTE: If lower parts of receiver and its mechanism are especially dirty, soak in appropriate solvent, flush clean with clean solvent. Make certain that all foreign matter is removed after cleaning. Lightly oil after cleaning.

Only a very small amount of oil is needed to adequately lubricate moving parts and prevent rust. Accumulation of oil tends to attract dust and dirt which interferes with the safe and reliable functioning of firearm. DO NOT APPLY EXCESS LUBRICATING OIL. DO NOT APPLY OIL OR GREASE TO FIRING PIN



WARNING: Wear eye protection when using solvent. Thoroughly wash your hands to remove powder and solvents after cleaning your firearm.



WARNING: Always wear eye and ear protection when using any firearm.

CLEANING FIREARM

1. Point firearm in safe direction.

2. Move thumb safety fully upward to safe position.

3. Remove magazine and empty chamber.

4. Separate cartridges from firearm before cleaning operation.

5. Open slide and visually check that chamber and magazine well are free of cartridges.

6. Disassemble firearm as described in the [DISASSEMBLY](#) section.

7. Using cleaning rod, run solvent-wetted patch through barrel several times.

8. Attach solvent-wetted bristle brush to rod and run back and forth full length of barrel as needed until clean of residue.

9. Clean barrel with dry patches and examine it. If necessary, repeat barrel scrubbing. Barrel fouling can contribute to reduced accuracy, and residue accumulation in the

chamber can interfere with proper feeding of cartridges from magazine.

10. Using powder solvent on a clean patch, remove powder residue from all components of mechanism. If residue cannot be removed by wiping with patch, use solvent-wetted bristle brush.

11. Next, wipe scrubbed areas with solvent-wetted patch.

12. After cleaning, run dry patch through barrel, then follow with lightly oiled patch.

13. Wipe all surfaces clean with cloth, then wipe all surfaces with lightly oiled patch (or cloth).

14. Reassemble firearm as described in the [REASSEMBLY](#) section. Remember, an improperly assembled firearm is dangerous and should not be fired. Always consult a qualified pistolsmith if you experience any difficulty or have any questions concerning assembly procedure.

15. If firearm is to be stored for an extended period, final oil applications can be heavier so there will be less tendency for it to evaporate.

16. Keep your firearm clean at all times.

POINTS OF LUBRICATION

NOTE: Please read entire manual and follow all safety rules before handling firearm.

1. [Field strip](#) pistol. Only remove slide from frame.

2. Using any quality firearm lubricant, 1 drop of lubricant on each side of the rear slide railways (See Figure 29-1).

3. [Reassemble](#) slide to frame.

4. Manipulate slide back and forth 5 - 10 times.

5. 1 drop of lubricant on chamber area of the barrel (See Figure 29-2).

6. Lock slide to the rear.

7. 1 drop of lubricant on the top of the muzzle of the barrel, 1/4" from front top of muzzle and inside wall of slide (See Figure 29-3).

8. Manipulate slide back and forth 5 - 10 times.

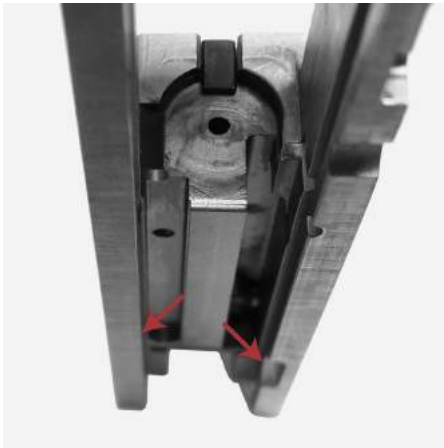


Figure 29-1



Figure 29-2



Figure 29-3

Store key separately away from lock and out of reach of children. Springfield, Inc . firearm boxes are also designed for an exterior lock (Not Included). **This cable lock is supplied as an aid to your security measures.**

1. Point firearm in safe direction while keeping your finger off the trigger.

2. Press magazine release and remove magazine.

3. Pull slide fully to the rear and lock open.

4. Check to see that no cartridge is in the chamber.

5. Insert cable through the ejection port and out magazine well.

6. Lock cable into cable lock.

7. Grasp slide and ease forward.



Figure 35-1



CAUTION: Guns should always be locked and stored in complete compliance with all applicable laws and regulations.