



RAGING HUNTER

INSTRUCTION MANUAL

GENERAL SAFETY, OPERATING INSTRUCTIONS AND LIMITED WARRANTY

READ CAREFULLY BEFORE USING YOUR FIREARM

Important: Keep this manual with your firearm.

The information contained in this manual is useful, both for beginners and experienced shooters. In addition to important information about the function, cleaning and care of the firearm, this manual contains instructions that may be very helpful in shooting safely.

The most important rule of safe firearm handling is always keep the muzzle pointed in a safe direction!



RAGING HUNTER

TaurusUSA.com



/TaurusUSA



@taurususa



/TaurusUSA

- Available in .357 Magnum, .44 Magnum, .454 Casull and .460 S&W Magnum
- Adjustable rear sight
- Top picatinny rail
- Single action / double action
- Ported barrel
- Soft rubber grip
- Matte black or two tone

CONTENTS

Firearm Safety.....	6
Get To Know Your Revolver.....	12
Ammunition	16
Operating Instructions.....	20
Care and Maintenance.....	23
Exploded View.....	26
Taurus® Service	28
Limited Warranty	30



WARNING




The safety warnings in this booklet are important. By understanding the dangers inherent in the use of any firearm, and by taking the precautions described herein, you can safely enjoy your Taurus® firearm. Failure to follow any of these warnings may result in serious injury to you or others, as well as severe damage to the firearm or other property.

Intentionally left blank

NOTES

Four horizontal grey bars intended for handwritten notes.

SIGNAL WORDS AS DEFINED BY ANSI Z535.6 AND Z535.4 STANDARDS.

 DANGER	DANGER indicates a hazardous situation which, if not avoided, will result in death or serious injury.
 WARNING	WARNING indicates a hazardous situation which, if not avoided, could result in death or serious injury.
 CAUTION	CAUTION indicates a hazardous situation which, if not avoided, could result in minor or moderate injury.
NOTICE	NOTICE is used to address practices not related to physical injury.

FIREARMS SAFETY

WARNING

When a firearm discharges, the bullet or shot can strike a person, resulting in death or serious bodily injury.

The three basic keys to safe handling of firearms:

- 1. KEEP YOUR FINGER OFF THE TRIGGER UNTIL YOU ARE READY TO FIRE.** If you maintain good trigger discipline, it is extremely unlikely the firearm will fire.
- 2. KEEP THE MUZZLE POINTED IN A SAFE DIRECTION.** Even if the firearm discharges, if the muzzle is pointed in a safe direction, no one will be injured.
- 3. NEVER TRUST ANY SAFETY MECHANISM.** If you adopt the attitude that you will not trust any safety mechanism, you will be vigilant about keeping your finger off the trigger and keeping the muzzle pointed in a safe direction.

WARNING - KNOW YOUR TARGET

Never fire at targets at close range. Ricochets can and do cause death or serious bodily injury. What constitutes "close range" depends on many factors including target material, bullet caliber and angle of impact.

KNOW WHAT IS BEHIND YOUR TARGET. Unless you are shooting into a bullet trap designed to capture the type of ammunition you are firing, projectiles may pass through the target and strike anyone or anything beyond. Bullets can travel miles.

ALWAYS WEAR HEARING PROTECTION. Firearms are loud. The sound they generate is greater indoors. Repeated exposure to loud noises can cause deafness. Hearing protection is rated by decibel reduction. Look for "dB" reduction of 30 or more when purchasing ear protection. Modern ear protection can allow normal hearing until the sound from the discharge reaches the ear. Layering hearing protection, for example, wearing 30db rated foam plugs inside of 20db rated ear muffs, significant protection can be achieved.

ALWAYS WEAR EYE PROTECTION. In normal operation, firearms emit hot high-velocity gases, particles and metal. These materials flying into your eye can cause blindness. Protect your vision with proper eye protection. Any eye protection may be better than none, but look for ANSI Z87.1-2003 certified eyewear for the best protection.

NEVER HANDLE FIREARMS WHILE UNDER THE INFLUENCE OF DRUGS OR ALCOHOL. Firearms are dangerous. Handling firearms while impaired by drugs or alcohol is foolhardy and may result in serious injury or death. This warning includes prescription drugs that contain a warning about using machinery or driving while taking the medication.

MODIFIED FIREARMS ARE DANGEROUS, AND USE CAN RESULT IN SERIOUS INJURY OR DEATH. "Trigger jobs," polishing original components or installing aftermarket parts can cause a firearm to function in ways different than intended. Some such work may also be illegal.

DAMAGED FIREARMS ARE DANGEROUS, AND USE CAN RESULT IN SERIOUS INJURY OR DEATH. Repairs should always be made by a qualified gunsmith or by a factory-authorized repair site. Work done by those unfamiliar with the design can cause a firearm to function in ways different than intended.

NEVER ATTEMPT TO DISASSEMBLE OR CLEAN A LOADED FIREARM. DOING SO CAN RESULT IN SERIOUS BODILY INJURY OR DEATH. How often have we heard "But it went off while I was cleaning it!" or, "I did not know it was loaded!" or, "It was jammed, and I tried to take it apart!"?

IF A FIREARM GOES OFF, THERE WAS A ROUND OF AMMUNITION IN THE CHAMBER. Period. "Clear" (or empty) the firearm of all ammunition before disassembling or cleaning.

As owner of your new Taurus® firearm, you are responsible for (1) keeping your finger off the trigger, (2) pointing the muzzle in a safe direction, (3) opening the cylinder by pressing the thumb piece and front latch and (4) looking and feeling each chamber to confirm the revolver is empty.

FIREARMS SAFETY SYSTEMS

Firearms safety is supported by a system. With your revolver, the system is made up of the following:

You! Your involvement in safety cannot be overemphasized. No safety component can keep your finger off the trigger and the muzzle pointed in a safe direction. Also, you are the key to never trusting any of the mechanical parts of the safety system.

Revolver Be sure the firearm is completely unloaded and contains no cartridges or cartridge cases. With the thumb of the right hand push the thumb piece forward and simultaneously press down the front latch with the left hand. Then press on the cylinder to swing it to the left. Visually check that all six (6) chambers are empty.

PISTOL AND REVOLVER SIZE AND SAFETY

The selection of a revolver versus a pistol as well as the size, caliber and magazine capacity of a handgun are personal choices. There are many choices to be made, and there are advantages and disadvantages for each.

Generally speaking, smaller handguns may require more attention to be handled safely than medium or full-size handguns. This is because their small size makes it easier to point the muzzle at your hand or to “sweep” (swing the muzzle across your body) yourself or others in ordinary handling.

When loading the cylinder keep the muzzle pointed in a safe direction.

SAFE CARRY CONDITION

“Safe Carry Condition” is the most ready-to-fire condition that the user feels is reasonable under the circumstances.

Generally, we believe Taurus revolvers should be carried with an empty chamber under the hammer. Under most circumstances, this provides the best balance of readiness and safety.

“Safe Carry Condition” is a judgment call and must be made by the user. Some users routinely face greater threats than others. User’s must be aware of their situation and circumstances. Errors in judgment can have dire and tragic outcomes if firearms are present.

CARRYING FIREARMS

Carrying a firearm can be dangerous and puts great responsibility on the person in possession of the firearm. Carrying or handling a firearm makes it more difficult to maintain control over the muzzle and makes it more likely that the firearm may be dropped or bumped, resulting in the firearm discharging. There are advantages and disadvantages to various methods of carrying any firearm. Educate yourself and choose which carry method is best for you and those around you.

In almost all circumstances, it is safest to carry a handgun in a holster designed for that specific handgun. Carrying a handgun in a pocket or in a waistband is always a last choice. Carrying any handgun in a holster that fits the firearm should prevent it from accidentally falling and you from losing control of the muzzle. Generally, we believe Taurus revolvers should be carried with an empty chamber under the hammer. Under most circumstances, this provides the best balance of readiness and safety.



WARNING - CARRYING

Do not carry your firearm in any way that might let it fall or be bumped. If a firearm falls or is bumped, it may fire.



WARNING - HANDLING

If the trigger is held to the rear, the gun can fire if the hammer strikes the transfer bar. Note that it need not be any deliberate effort to pull the trigger. Any situation where the trigger attains its rearward position and permits the transfer bar to be interposed between the hammer and the firing pin can cause the cartridge under the firing pin to discharge. Never drop or strike the revolver. Cocked or uncocked. Carry and handle the revolver in such a manner that the hammer and trigger will not be struck.

NEVER CARRY ANY REVOLVER WITH THE HAMMER COCKED OR THE TRIGGER HELD TO THE REAR

FIREARMS STORAGE AND GUN LOCKS

How you secure your firearms is a personal choice based on the unique circumstances in your home, business or vehicle and the laws of the state where your firearm is located. Any choice you make about securing your firearms will present advantages and disadvantages. It is up to you to weigh those advantages and disadvantages and choose which security method is best for you and those around you.



WARNING - LOCKING

Never lock a firearm with a round of ammunition under the hammer. Unlocking a loaded firearm makes it more difficult to maintain trigger discipline and to keep the muzzle pointed in a safe direction.



WARNING

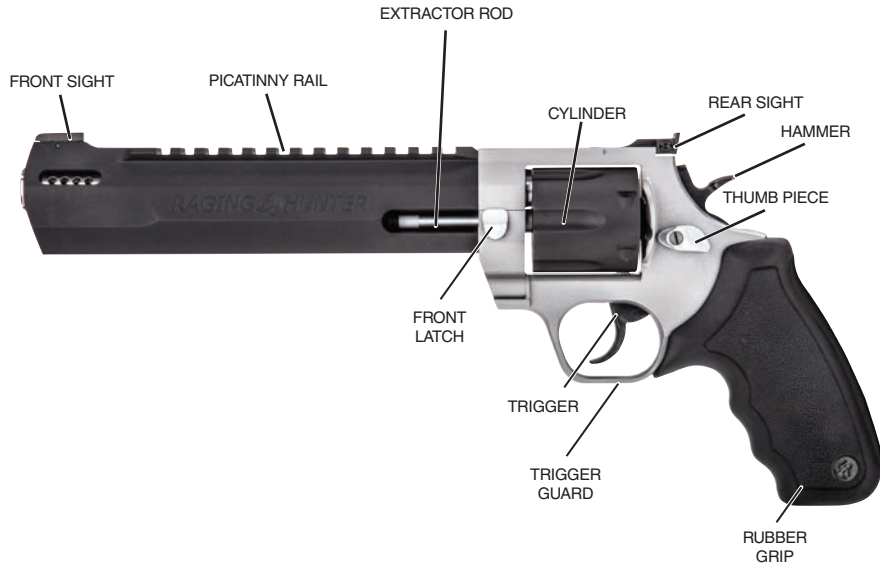
Securing your firearm may inhibit access in a defensive situation and may result in injury or death.



WARNING

Failure to secure a firearm may result in injury or death. Properly securing a firearm means storing your firearm unloaded, decocked and securely locked, with all ammunition in a separate location.

GET TO KNOW YOUR REVOLVER



SPECIFICATIONS

Model	Raging Hunter (357H)
Caliber	.357 Magnum
Action	DA / SA
Capacity	7
Barrel Length	8-3/8" / 6-3/4" / 5-1/8"
Overall Length	14.1" / 12.5" / 10.9"
Overall Height	6.4"
Overall Width	1.8"
Weight	58.2 oz. / 54.1 oz. / 50.3 oz.
Sights (Front)	Fixed
Sights (Rear)	Fully Adjustable
Materials	Frame: Alloy steel or stainless Barrel: stainless
Safety Device	Transfer bar
Finish	Matte black or two tone
Remarks	Top Rail Picatinny MIL-STD-1913

SPECIFICATIONS

Model	Raging Hunter (44H)	Raging Hunter (454H)
Caliber	.44 Magnum	.454 Casull
Action	DA / SA	
Capacity	6	5
Barrel Length	8-3/8" / 6-3/4" / 5-1/8"	
Overall Length	14.1" / 12.5" / 10.9"	
Overall Height	6.4"	
Overall Width	1.8"	
Weight	55.7 oz. / 51.5 oz. / 48.3 oz.	
Sights (Front)	Fixed	
Sights (Rear)	Fully Adjustable	
Materials	Frame: Alloy steel or stainless Barrel: Stainless	Frame: Stainless Barrel: Stainless
Safety Device	Transfer bar	
Finish	Matte black or two tone	
Remarks	Top Rail Picatinny MIL-STD-1913	

SPECIFICATIONS

Model	Raging Hunter (460H)
Caliber	.460 S&W Magnum
Action	DA / SA
Capacity	5
Barrel Length	8-3/8" / 6-3/4" / 5-1/8"
Overall Length	14.9" / 13.2" / 11.6"
Overall Height	6.5"
Overall Width	1.92"
Weight	69.1 oz. / 64.9 oz. / 60.7 oz.
Sights (Front)	Fixed
Sights (Rear)	Fully Adjustable
Materials	Frame: Stainless Barrel: Stainless
Safety Device	Transfer bar
Finish	Matte black or two tone
Remarks	Top Rail Picatinny MIL-STD-1913

LOCKING DEVICE INSTALLATION INSTRUCTIONS



WARNING - LOCKING DEVICES

- Always keep your firearm pointed in a safe direction, including when you are installing or removing your locking device.
- Always verify that your firearm is completely unloaded (see page 20) before installing your locking device.
- Do not install locking devices in the trigger guard; always keep your fingers and locking device outside the trigger guard during device installation and removal.
- Store firearms, ammunition and keys separately and securely, away from children and careless adults; do not store your firearm with the keys in the locking device.
- Do not attempt to work the action of your firearm with the locking device in place; this may damage your firearm.
- While locking devices are an important aid to security measures, they are not a substitute for safe firearm handling and proper storage. Remember that any mechanical device can be bypassed with enough time, knowledge, determination and equipment.

LOCKING DEVICES MUST BE USED SAFELY AND RESPONSIBLY

It is important to use the locking device on your Taurus® firearm!

Keep the muzzle pointed in a safe direction and your fingers outside the trigger guard at all times during installation of the locking device!

To Install the Factory-Supplied Locking Device:

1. Be sure the firearm is completely unloaded and contains no cartridges or cartridge cases.
2. Depress Thumb Piece and Front Latch. Completely swing out the cylinder.
3. Feed the cable portion of the cable lock through the cylinder frame opening (Figure 1).
4. To lock: With the key turned to the farthest clockwise position, insert the loose end of the cable into the lock. Turn the key counterclockwise and remove the key.
5. Once the lock is securely closed, pull firmly on the lock to test the connection and be sure it is locked. Do not leave or store your firearm with the key in the lock! Store your locked, unloaded firearm and the key in secure, separate locations, away from ammunition, children, and unauthorized adults.



WARNING

Never leave your keys in the lock when the lock is installed on the firearm.

AMMUNITION

WARNING

Using the wrong ammunition in your revolver can result in serious bodily injury and damage to your revolver. Make certain the ammunition you load is the same caliber as is marked on the revolver.

WARNING - AMMUNITION AND INDUSTRY STANDARDS

Use only clean, dry factory-loaded ammunition. Old, damaged, wet or oily ammunition may fire at pressures higher than industry standard, causing injury to you and bystanders or damage to your revolver.

Do not use reloaded ammunition in your revolver. Its firing pressures are unknown and may well exceed industry standard, causing injury to you and bystanders or damage to your revolver.

Odd sounds are signs of trouble. If a round "does not sound right" when it goes off, stop firing right away. A bullet may be stuck in the barrel. Firing the revolver in this condition may cause pressures higher than industry standard, causing injury to you and bystanders or damage to your revolver.

If you hear any odd sounds when firing your revolver, stop firing, and unload the revolver in accordance with the procedure in this manual. Once unloaded and all cylinders are empty and clear, with the cylinder open, inspect the bore. If you don't see light, there is something tucked in the bore. Do not fire the revolver again and take the revolver to a qualified gunsmith or contact the Taurus® Service Department at 800-327-3776.

WARNING - LEAD AND HAZARDOUS CHEMICAL EXPOSURE

Discharging firearms in poorly ventilated areas, handling, and /or cleaning firearms or handling ammunition can expose you to chemicals including lead which is known to the state of California to cause cancer and birth defects or other reproductive harm. For more information, go to www.P65Warnings.ca.gov

Have adequate ventilation at all times. Wash hands thoroughly after exposure with soap and water.

SHOOTING OR CLEANING GUNS MAY EXPOSE YOU TO LEAD

WARNING

"+P" ammunition can be dangerous. There is a detailed discussion about "+P" and "+P+" ammunition on page 18 of this manual. Until you have read that information, do not fire any ammunition marked "+P" in your revolver.

WARNING

Never fire ammunition marked "+P+" in your revolver. It does not comply with industry standards as to chamber pressures.

WARNING

It is DANGEROUS to fire "+P+" ammunition in any Taurus® firearm, and doing so may result in serious bodily injury or death. The Sporting Arms and Ammunition Manufacturers Institute (SAAMI) does not recognize any "+P+" ammunition at all. These loads operate at unknown pressures.

There are only four calibers that can carry a “+P” rating from SAAMI. They are 38 Special +P, 9mm Luger +P, 38 Super Automatic and 45 Automatic +P. There are no other SAAMI approved “+P” loads. Any ammunition in any other caliber marked “+P” is not SAAMI compliant, may be dangerous and should not be used.

Only fire SAAMI rated Plus P (“+P”) ammunition in Taurus® models designated by Taurus for +P use as below. **Firing +P ammunition in other Taurus products may be dangerous and can result in serious bodily injury or death.**

Model 85 small-frame revolver in 38 Special.

Model 850 small-frame revolver in 38 Special.

Model 851 small-frame revolver in 38 Special.

Model 85 Polymer small-frame revolver in 38 Special.

Model 82 medium-frame revolver in 38 Special.

Model 817 compact frame (tracker) revolver in 38 Special.

All firearms chambered in 38 Super Automatic.

All firearms chambered in 45 Automatic (ACP).

All firearms chambered in 9mm Luger.

NOTICE

Even if your Taurus® firearm is rated for Plus-P (“+P”) ammunition, such ammunition generates pressures significantly in excess of the pressures associated with standard ammunition. Such pressures may affect the useful life of the firearm or exceed the margin of safety built into many firearms. Unless you need +P ammunition, do not use it, particularly for practice.

NOTICE

You can use .38 Special ammunition in all Taurus® revolver chambered for .357 Magnum; .44 Special ammunition in Taurus revolvers chambered for .44 Magnum and .45 Long Colt in Taurus revolvers chambered for .454 Casull. It is important to note that these are the only caliber substitutions that will function. Attempting to substitute other calibers can damage your firearm and may result in accidental death or serious injury.

FIREARMS ARE NOT ALL ALIKE

Many makes and models of firearms might LOOK nearly the same. However, they differ widely in design, operation, and in the location and function of various controls. You may access the Taurus® website at TaurusUSA.com to view and print manuals.



WARNING - ANY GUN MAY FIRE IF DROPPED

If dropped or struck, the revolver may fire. Keep the cylinder empty unless actually firing!



WARNING

If dropped or struck the firearm should be inspected by a trained armorer/gunsmith for a complete function check. While the firearm was dropped or struck, mechanisms, including automatic safeties, may not function as intended resulting in accidental death or serious injury.

OPERATING INSTRUCTIONS

The Taurus Raging Hunter has a swing out type **cylinder chambers**, turning around a central axis. When the **cylinder** is locked in position, the revolver is ready for firing. The shots may be fired by single action (by cocking the **hammer** and thereafter, pulling the **trigger**) or by double action (by merely pulling the **trigger**). Firing the revolver in both single and double action causes the **cylinder** to advance, aligning in succession, each of the **chambers** with the **barrel**. The cadence of shooting is limited by the shooters skill in loading the **cylinder** and their ability in safely operating the gun.

LOADING THE CYLINDER

With the thumb of the right hand, push the **thumb piece** forward and simultaneously press down the **front latch** with the left hand (Fig.1). Then press on the **cylinder** to swing it to the left (Fig.2). Holding the gun with the **muzzle** pointing downward and in a safe direction, and the **cylinder** in its outermost position insert the cartridges (Fig.3).

Once loaded, the **cylinder** must be closed again to its original position in the **frame**. After this the locking must be checked. To unload the revolver, the process is the same as to load it, but after opening, the **barrel** is pointed upward.

Cartridges are then ejected by pressing sharply on the **extractor rod**. Be sure that all fired cartridges are ejected. The **cylinder** is now ready to be reloaded (Fig.4).



CAUTION

Spent cases will be hot and may have sharp edges. Exercise caution when removing the cases or injury may occur.

WARNING - FIRING



When firing any revolver be sure all persons are a safe distance to the rear of the shooter. When fired, all revolvers discharge hot gas and particles through the clearance gap between the cylinder and rear of the barrel during normal use.

When firing any revolver always be certain that nothing including your hands, fingers, and any body parts are not in the path of hot gases and particles which are discharged from the front and sides of the cylinder.

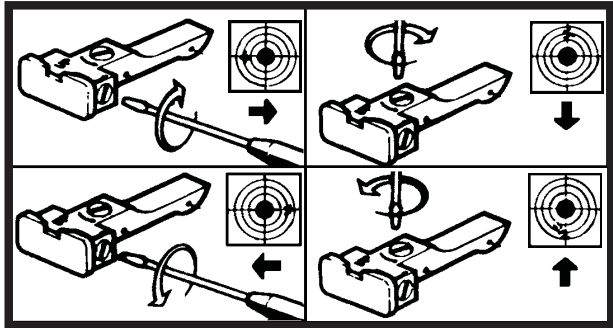


HOT GASES EXIT BARREL/CYLINDER GAP

ADJUSTING THE SIGHTS

External Adjustable Sight Models Only

To adjust, make sure the firearm is unloaded and always keep the muzzle pointed in a safe direction. If possible, leave the cylinder open during adjustment. To raise the rear sight, turn the elevation adjusting screw counterclockwise. To lower the rear sight, turn the screw clockwise. When raising the sight the point of impact rises. Lowering the sight, the point is lowered. The rear sight can also be adjusted for windage. Turn the windage adjusting screw clockwise to move the notch to right side, and counter-clockwise to move the notch to left side.



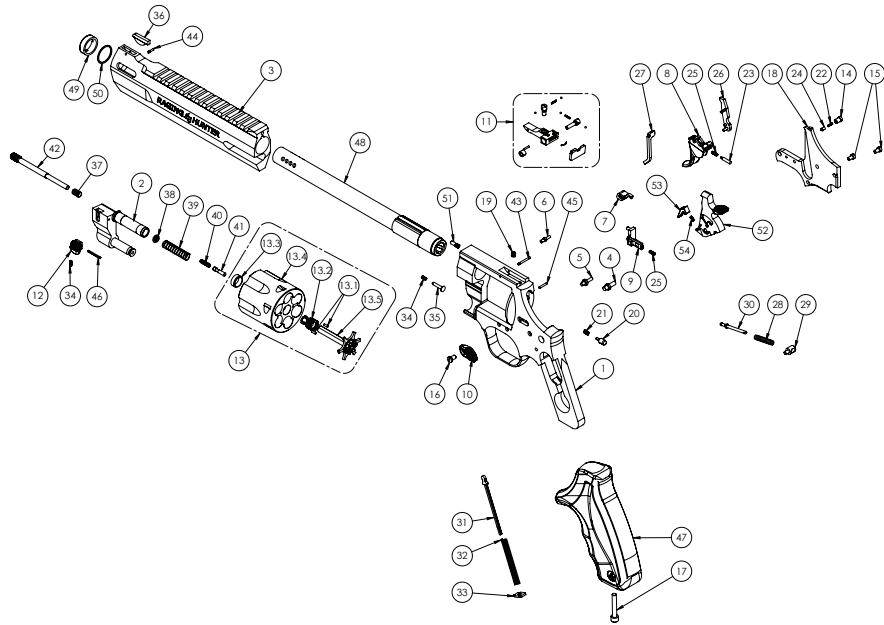
CARE AND MAINTENANCE

WARNING

Before cleaning, (1) keep the muzzle pointed in a safe direction, (2) keep your finger off the trigger, (3) depress thumb piece and front latch and completely swing out the cylinder and complete, (4) check every chamber to ensure firearm is completely unloaded and contains no cartridges or cartridge cases.

1. The gun may be cleaned and lubricated under normal conditions without the need of any disassembly. Do not disassemble the barrel.
2. In special conditions, such as repairs, when disassembling is necessary, it is recommended the gun be returned to the factory or sent to a qualified gunsmith or to the importer.
3. In order to keep a gun in perfect condition it must be kept clean and covered with a slight film of good quality oil to prevent corrosion. This is especially necessary after use.
4. For normal cleaning of handgun not used or kept in storage for some time, it is necessary to rub it with a lightly oiled cloth. In the same way proceed with the bore of the barrel. The barrel should be clean and left free of debris. The excess oil must be removed, but a thin protecting film should remain. Also the dust should be removed from all crevices with a small, clean brush.
5. For cleaning after shooting, it is of special importance that all residues of powder be removed from barrel and other adjacent areas subject to such deposits, using an appropriate brush. If particles of lead are detected in barrel they must be scrubbed with a brass brush, drenched with oil. Once cleaned, lubrication should be done as above described. When shooting more than 200 rounds in a row, your firearm should be cleaned before further shooting.
6. Do not keep handguns in contact with materials that attract moisture or possess a certain degree of acidity, or in environments with great variation of temperature or of humidity. Avoid the use of holsters of cloth or of any other material that can retain moisture.
7. If the firearm is to be stored for a long period of time, extreme care should be taken with metal surfaces, in order to protect them against corrosion.

EXPLODED VIEW



PART LIST

1	FRAME	29	TRIGGER SPRING SWIVEL
2	YOKE	30	TRIGGER SPRING CENTER PIN
3	BARREL SHROUD	31	MAIN SPRING CENTER PIN
4	HAMMER PIVOT PIN	32	MAIN SPRING
5	TRIGGER PIVOT PIN	33	MAIN SPRING PLATE
6	CYLINDER STOP PIVOT PIN	34	FRONT LATCH/CYLINDER STOP PLUNGER SPRING
7	CYLINDER STOP	35	CYLINDER STOP PLUNGER
8	TRIGGER ASSEMBLY	36	FRONT SIGHT
9	BOLT	37	EXTRACTOR ROD SPRING
10	THUMB PIECE	38	EXTRACTOR ROD COLLAR
11	REAR SIGHT ASSEMBLY	39	EXTRACTOR SPRING
12	FRONT LATCH	40	CENTER PIN SPRING
13	CYLINDER ASSEMBLY	41	CENTER PIN
13.1	CYLINDER PIN	42	EXTRACTOR ROD
13.2	CYLINDER RETAINING BUSHING	43	REAR SIGHT PIN
13.3	SPACER RING	44	FRONT SIGHT PIN
13.4	CYLINDER	45	FIRING PIN RETAINING PIN
13.5	EXTRACTOR	46	FRONT LATCH PIN
14	YOKE SCREW ASSEMBLY	47	RUBBER GRIP
15	SIDE PLATE SCREW	48	BARREL
16	THUMB PIECE SCREW	49	BARREL SHROUD NUT
17	GRIP SCREW	50	BARREL SHROUD WASHER
18	SIDE PLATE	51	BARREL SHROUD POSITIONING PIN
19	REAR SIGHT SPRING	52	HAMMER
20	FIRING PIN	53	SEAR
21	FIRING PIN SPRING	54	SEAR SPRING
22	YOKE RETAINING PIN SPRING		
23	HAND PIN		
24	YOKE RETAINING PIN		
25	BOLT/HAND SPRING		
26	HAND		
27	TRANSFER BAR		
28	TRIGGER SPRING		

TAURUS SERVICE

Should your firearm require adjustment or repair contact our Customer Care department at 800-327-3776.

Please follow these suggestions to expedite service in the United States to return any firearm to us for adjustment or repair.

1. Federal law permits you to return your firearm to the manufacturer for service via common carriers. However, state and local firearms laws vary greatly; you should consult your local prosecuting attorney regarding any restrictive laws in your jurisdiction regarding your shipment or receipt of firearms. With the above in mind, it is strongly recommended that any firearm sent to us for repair be sent through a federally licensed dealer.

2. All firearms must be shipped to us prepaid. WE WILL NOT ACCEPT COLLECT SHIPMENTS.

3. Warranty Service: If your product is covered under the Taurus® Limited Lifetime Warranty (<https://warranty.taurususa.com>) or was manufactured prior to January 1, 2017, you must contact Taurus to receive warranty service. You may contact Taurus by calling 800-327-3776, logging onto <https://taurususa.com>, or in writing: Taurus, Attn: Warranty Service, 100 Taurus Way, Bainbridge, GA 39817. Please include a description of the claimed defect, along with your name, address, telephone number, model and serial number of your firearm, proof of purchase, and date of purchase.

4. FIREARMS MUST BE SHIPPED UNLOADED. Double check the chambers of your firearm before shipping. If firearms are sent to Taurus in a loaded condition, we are required by law to notify the Federal authorities.

5. DO NOT include telescopic sights, custom grips, holsters, or other accessories with any firearm shipped to us.

PARTS

Firearms require periodic maintenance, inspection, adjustment and repair. If your revolver has a malfunction, be safe. Stop firing, “clear” and unload the revolver and take it to a qualified gunsmith. Before shooting it again, contact our Customer Care department if you have any questions.

If water, sand, or other foreign matter gets in your revolver, field strip it (see page 22) and thoroughly clean it. Failure to keep your firearm clean and in proper working order can be dangerous.

Our Customer Care department maintains a full stock of replacement parts for current Taurus firearms. Even though most gunsmiths have the knowledge, training and ability to make the necessary repairs to your firearm, the skill and workmanship of any particular gunsmith is totally beyond our control. Should your firearm require service, return it to our Customer Care department.

Remember, unauthorized adjustments or parts replacement can void your warranty. If you choose to have someone else do the required work, the purchaser and/or installer of parts must accept full responsibility for the correct adjustment and function of the firearm.



TAURUS® LIMITED LIFETIME WARRANTY

Taurus® hereby provides the following **LIMITED LIFETIME WARRANTY**, to the original purchaser of the enclosed Taurus firearm subject to the terms and conditions set forth below. **THIS IS THE ONLY WARRANTY EXTENDED BY TAURUS COVERING THIS FIREARM.**

What does the warranty cover and what is its duration?

Taurus warrants to the original purchaser that the enclosed firearm was made free of defects in material, function, and workmanship. Taurus promises to remedy any defect in material, function or workmanship for the entire time that the original purchaser owns the firearm. This warranty covers the firearm's finish, grips, magazines, sights or accessories for the first year. Any claims of defect related to lasers must be directed to the manufacturer of the laser. This warranty terminates automatically upon the transfer of this firearm to any individual or entity other than the original purchaser.

Disclaimer and Limitation of Remedy.

ANY IMPLIED WARRANTIES OF MERCHANTABILITY IMPARTED BY STATE LAW WILL BE LIMITED TO ONE (1) YEAR.

Some States do not allow limitations on how long an implied warranty lasts, so the above-limitation may not apply to you.

ANY AND ALL INCIDENTAL AND CONSEQUENTIAL DAMAGES ARE EXPRESSLY DISCLAIMED UNDER ALL CIRCUMSTANCES.

Some States do not allow the exclusion or limitation of incidental or consequential damages, so the above limitation or exclusion may not apply to you. This **LIMITED LIFETIME WARRANTY** gives you specific legal rights, and you may also have other rights which vary from State to State.

Taurus will not be responsible for:

1. Defects or malfunctions resulting from careless handling, unauthorized adjustments or modifications.
2. Use of defective or improper ammunition, reloaded ammunition, corrosion, neglect, abuse, ordinary wear and tear or unreasonable use.
3. Criminal misuse, negligence or use under the influence of drugs or alcohol.

How do you obtain warranty service?

The warranty becomes effective only if activated by the original purchaser within thirty (30) days of the purchase date by registering online at: <https://warranty.taurususa.com> or by calling Taurus at 800-327-3776.

You must contact Taurus to receive warranty service. You may contact Taurus by calling 800-327-3776, logging onto <https://taurususa.com>, or in writing: Taurus, Attn: Warranty Service, 100 Taurus Way, Bainbridge, GA 39817. Please include a description of the claimed defect, along with your name, address, telephone number, model and serial number of your firearm, proof of purchase, and date of purchase.

IMPORTANT DO NOT DISCARD

**KEEP THIS MANUAL WITH THE FIREARM
UPON CHANGE OF OWNERSHIP.**

TAURUS ARMAS S.A.

Av. São Borja, 2181 – Prédio A
São Leopoldo/Fazenda São Borja
Rio Grande do Sul
93.035-411
Brasil

TAURUS INTERNATIONAL MANUFACTURING, INC.

100 Taurus Way
Bainbridge, GA 39817
Telephone: 1-800-327-3776

WARNING: This product contains chemicals known to the State of California to cause cancer, birth defects or other reproductive harm.

**TAURUSUSA.COM
TAURUS.COM.BR**

045-0006-00 Rev. 6

