

SIGSAUER®



SIG P320® PISTOLS

OPERATOR'S MANUAL: HANDLING & SAFETY INSTRUCTIONS



**READ THE INSTRUCTIONS AND WARNINGS IN THIS MANUAL CAREFULLY BEFORE USING THIS FIREARM.
DO NOT DISCARD THIS MANUAL.**

**THIS MANUAL SHOULD ALWAYS ACCOMPANY THIS FIREARM AND BE TRANSFERRED WITH IT UPON CHANGE
IN OWNERSHIP, OR WHEN THE FIREARM IS PRESENTED TO ANOTHER PERSON.**



WARNINGS

1.0 SAFETY WARNINGS

READ THIS ENTIRE MANUAL THOROUGHLY AND CAREFULLY PRIOR TO USING THIS FIREARM.

The warnings in this operators manual are extremely important. By understanding the dangers inherent in the use of any firearm, and by taking the precautions described in this manual, you can experience a high level of safety in the use of your firearm. Failure to heed any of these warnings may result in serious injury or death to you or others, as well as severe damage to the firearm or other property.

WARNINGS in this manual identify a clear danger to the person performing that procedure. Warnings are identified by a red banner with the word **WARNING** in white, bold, uppercase letters and a **WARNING** icon. Failure to comply with a **WARNING** can result in serious injury or death to you or a bystander.



WARNING

CAUTIONS in this manual identify a risk of damage to the firearm being maintained. **CAUTIONS** are identified by a black banner with the word **CAUTION** in white, bold, uppercase letters.

CAUTION



WARNINGS

SIG SAUER

As a valued SIG SAUER customer, we encourage you to visit sigsauer.com. There you will find links to product information and updates, merchandise promotions, and educational videos that will be of interest to you as an owner of SIG SAUER products.

SIG SAUER firearms are designed to function reliably with proper care and knowledgeable use. You must understand the safe operation and use of your SIG SAUER firearm. Read and follow these instructions carefully. Do not use the firearm unless you fully understand these instructions and the safe operation of your firearm. Failure to heed any of these instructions may result in serious injury or death to you or others, as well as severe damage to the firearm or other property.

Your firearm comes equipped with effective, well-designed safety features. However, never rely completely on any safety mechanism. Safety mechanisms are designed to augment, not replace safe handling practices. Careless and improper handling of any firearm can result in an unintentional discharge.

Only your safe firearm handling habits will ensure the safe use of your firearm. Like all mechanical devices, the safety mechanisms are subject to breakage or malfunction and can be negatively affected by wear, abuse, dirt, corrosion, incorrect assembly, improper adjustment or repair, or lack of maintenance. Moreover, there is no such thing as a safety mechanism that is “childproof” or that can completely prevent accidental discharge from improper usage, carelessness, “horseplay”, or abusive handling.

The best safety is proper and applied training in safe firearm handling. Always handle your firearm as though you expect the safeties not to work.



WARNINGS

1.0 SAFETY WARNINGS - CONTINUED

Do not load a cartridge into the chamber until you are ready to use the firearm. If your firearm is equipped with a manual safety, keep the safety ON until you are actually ready to use the firearm. Always move the safety fully to its engaged position and visually check it. The safety is not ON unless it is completely ON.

ABUSIVE HANDLING

SIG SAUER firearms incorporate effective mechanical safeties. However, like any mechanical device, exposure to abusive conditions may have a negative effect on these safety mechanisms and cause them to fail to work as designed. Do not subject your SIG SAUER firearm to any type of abusive handling. This includes the firearm being dropped, impact to the firearm, or the firearm being struck by another object. Make sure you always maintain control of your firearm at all times. If your firearm does suffer an abusive event such as previously described, do not attempt to use the firearm. Keep the firearm pointed in a safe direction, unload and clear the firearm of all ammunition immediately, and have it inspected by a certified SIG SAUER armorer or gunsmith prior to using the firearm.

A safe direction is defined as an area in which, if the firearm were to discharge, no property damage would occur and no personal injury would result.

As previously noted, if your SIG SAUER firearm does suffer an abusive event, unload it immediately and have it inspected by a certified SIG SAUER Armorer or gunsmith prior to using the firearm. If your firearm suffers an abusive event during a life-threatening/self-defense situation, you must apply immediate action by;



WARNINGS

SIG SAUER

1. Pulling the slide completely rearward to eject the chambered cartridge.
2. Releasing the slide to chamber a new cartridge and resetting the trigger mechanism. (Do not ride the slide forward)
3. The firearm is now returned to proper operational condition.

Intentional or repetitive abusive handling of any SIG SAUER firearm will void the manufacturer's warranty and could render the firearm unsafe.

REPLACEMENT PARTS

Do not attempt to disassemble your SIG SAUER firearm beyond the point explained in this manual. Disassembly beyond the instructions in this manual is restricted to a certified SIG SAUER armorer or professional gunsmith. Failure to comply with these restrictions will void your warranty.

Warnings and instructions about the use of some SIG SAUER replacement parts, assemblies, and accessories may be described in literature accompanying the specific products. Read and carefully follow those instructions. Such warnings and instructions are provided to assure the safe functioning of the firearm. Failure to heed them may result in improper functioning, damage to the firearm, and serious injury or death to you or others.

ALTERATIONS

This SIG SAUER firearm was designed to function properly in its original condition. Unauthorized alterations can make it unsafe. Do not alter any part or add or substitute any parts or accessories not manufactured by SIG SAUER for this pistol. The addition of any parts or accessories beyond the user level of maintenance described in this manual is not authorized.



WARNINGS

1.0 SAFETY WARNINGS - CONTINUED

ACCESSORIES

It is your responsibility to ensure that all accessories, such as holsters and firearm-mounted lights, are compatible with this firearm and that the accessories do not interfere with the safe operation and handling of the firearm. If you are lawfully carrying the firearm concealed, you must ensure that the holster you choose is made for your particular firearm and designed for the type of carry in which you intend to engage.

TRANSPORTING

When transporting your firearm, be sure the firearm is unloaded and cleared of all ammunition. It is your responsibility to familiarize yourself with the laws of any state you will be traveling through with your firearm.

STORAGE

The only safe way to store your firearm is unloaded, cleared of all ammunition, and secure. Safe and secure storage is one of your most important responsibilities. Store your unloaded firearm separate from your ammunition and in places inaccessible to children or unauthorized persons.

CHAMBER SAFETY FLAG

Every SIG SAUER firearm is shipped with a chamber safety flag. The chamber safety flag prevents the chambering of a round when installed and provides a readily visible indication that the firearm's chamber is empty. The chamber safety flag is to be installed in the firearm's chamber at all times when the firearm is not in use. Many public ranges require chamber safety flags be installed when the firing line is cold.



WARNINGS

SIG SAUER

LIABILITY

PISTOLS are classified as FIREARMS and are sold by SIG SAUER with the specific understanding that we shall not be responsible in any manner whatsoever for malfunctioning of the firearm, physical injury, or property damage resulting in whole or in part from:

- Criminal or negligent discharge
- Improper, careless, or abusive handling
- Unauthorized modifications or parts replacement
- Defective, improper, hand-loaded, or reloaded ammunition
- Corrosion
- Neglect
- Other influences beyond our direct and immediate control

This limitation applies regardless of whether liability is asserted on the basis of contract, negligence, or strict liability (including any failure to warn). Under no circumstance shall SIG SAUER, Inc. be liable for incidental or consequential damages such as loss of use of property, commercial loss, and loss of earnings or profits.



WARNINGS

BASIC RULES OF SAFE FIREARMS HANDLING

1. ALWAYS treat every firearm as if it were loaded.
2. ALWAYS be sure the barrel is clear of any obstruction.
3. ALWAYS be sure of your backstop, what lies beyond, and the safety of bystanders before you shoot.
4. ALWAYS use clean, dry, original factory-made ammunition of the proper type and caliber for your firearm.
5. ALWAYS wear ear protection and safety glasses when shooting.
6. ALWAYS carry your firearm so that you can control the direction of the muzzle if you fall or stumble.
7. NEVER shoot at a flat surface or water.
8. DO NOT leave a loaded firearm unattended. Firearms and ammunition should be stored separately, locked if possible, beyond the reach of children, careless adults, or unauthorized users.
9. NEVER allow your firearm to be used by anyone who has not read and understood this operators manual.
10. DO NOT point any firearm, loaded or unloaded, at any undesired or unsafe target.
11. NEVER discharge your firearm near an animal unless the animal is trained to accept the noise. An animal's startled reaction could injure it or cause an accident.
12. NEVER drink alcoholic beverages or use drugs before or during shooting, as your vision and judgment could be seriously impaired, making your firearm handling unsafe.



WARNINGS

SIG SAUER

1.1 EYE AND EAR PROTECTION



Always wear safety glasses that meet the requirements of American National Standards Institute (ANSI) z87.1 and ear plugs and “ earmuff”-type protectors whenever you are shooting. Always make certain that persons close to you are similarly protected. Unprotected eyes may be injured by powder, gas, carbon residue, lubricant, metallic particles, or similar debris that may emanate occasionally from any firearm in normal use. Without ear protection, repeated exposure to shooting noise may lead to cumulative, permanent hearing loss.

1.2 AMMUNITION

Use only high-quality, original, factory-manufactured ammunition. Do not use cartridges that are dirty, wet, corroded, bent, or damaged. Do not oil cartridges. Do not spray aerosol-type lubricants, preservative, or cleaners directly onto cartridges or where excess spray may flow into contact with cartridges. Lubricant or other foreign matter on cartridges can cause potentially dangerous ammunition malfunctions. Use only ammunition of the caliber for which your firearm is chambered. The proper caliber is permanently engraved on your firearm; never attempt to use ammunition of any other caliber.

The use of reloaded, “re-manufactured” hand-loaded, or other nonstandard ammunition voids all warranties. Reloading is a science and improperly loaded ammunition can be extremely dangerous.



WARNINGS

1.2 AMMUNITION - CONTINUED

Severe damage to the firearm and serious injury or death to the shooter or to others may result. Always use ammunition that complies with the industry performance standards established by the Sporting Arms and Ammunition Manufacturers' Institute, Inc. (SAAMI) or ammunition manufactured to U.S. military specifications.

SIG SAUER, Inc. specifically disclaims responsibility for any damage or injury whatsoever occurring in connection with, or as a result of, the use in any SIG SAUER firearm of faulty, nonstandard, "re-manufactured" hand-loaded (reloaded) ammunition, or cartridges other than those for which the firearm was originally chambered.

Firearms may be severely damaged and serious injury or death to the shooter or to others may result from any condition causing excessive pressure inside the chamber or barrel during firing. Excessive pressure can be caused by obstructions in the barrel, propellant powder overloads, the use of incorrect cartridges, or defectively assembled cartridges. In addition, the use of a dirty, corroded, or damaged cartridge can lead to a burst cartridge case and consequent damage to the firearm and personal injury from the sudden escape of high-pressure propellant gas within the firearm's mechanism.

OBSTRUCTED BORE

Immediately stop shooting, keep the pistol pointed in a safe direction whenever:

- You have difficulty in, or feel unusual resistance in, chambering a cartridge;
- A cartridge misfires (does not go off);
- The mechanism fails to extract a fired cartridge case;
- Unburned grains of propellant powder are discovered spilled in the mechanism;
- A shot sounds weak or abnormal. It is possible that a bullet is lodged part way down the barrel.



WARNINGS

SIG SAUER

- Firing a subsequent bullet into the obstructed barrel can damage the firearm and cause serious injury to the shooter or to bystanders.

Bullets can become lodged in the barrel when:

- The cartridge has been improperly loaded without propellant powder, or if the powder fails to ignite (ignition of the cartridge primer alone will push the bullet out of the cartridge case, but usually does not generate sufficient energy to expel the bullet completely from the barrel);
- The bullet is not properly seated in the cartridge case. When such a cartridge is extracted from the chamber without being fired, the bullet may be left behind in the bore at the point where the rifling begins. Subsequent chambering of another cartridge may push the first bullet further into the bore.

If there is any reason to suspect that a bullet is obstructing the barrel, immediately unload and clear the firearm. Field strip the pistol and look through the bore of the barrel. It is not sufficient to merely look in the chamber. A bullet may be lodged some distance down the barrel where it cannot easily be seen.

If a bullet is in the bore, do not attempt to shoot it out by using another cartridge or by blowing it out with a blank or a cartridge from which the bullet has been removed. Such techniques can generate excessive pressure, damage the firearm, and cause serious personal injury or death.

If the bullet can be removed by tapping it with a cleaning rod, clean any unburned powder grains from the bore, chamber, and mechanism, before resuming shooting. If the bullet cannot be dislodged by tapping it with a cleaning rod, take the firearm to a gunsmith or certified SIG SAUER Armorer.



WARNINGS

1.2 AMMUNITION - CONTINUED

Dirt, corrosion, or other foreign matter on a cartridge can impede chambering and may cause the cartridge case to burst upon firing. A damaged or deformed cartridge may also impede chambering or cause the cartridge case to burst upon firing.

Do not lubricate cartridges, and be sure to wipe the chamber clean of any oil or preservative before shooting. Oil interferes with the friction between cartridge case and chamber wall that is necessary for safe functioning, and subjects the firearm to stress similar to that imposed by excessive pressure.

Use lubricants sparingly on the moving parts of your firearm. Avoid excessive spraying of any aerosol gun care product, especially where it might get on ammunition. All lubricants and aerosol spray lubricants in particular can penetrate cartridge primers and cause misfires. Some highly penetrative lubricants can also migrate inside cartridge cases and cause deterioration of the propellant powder; on firing, the powder might not ignite. If only the primer ignites, there is danger that the bullet may become lodged in the barrel.

Death, serious injury, and damage to the firearm can result from the use of wrong ammunition, bore obstructions, powder overloads, or incorrect cartridge components. Always wear shooting glasses and hearing protectors.



WARNINGS

SIG SAUER



WARNING: CANCER AND REPRODUCTIVE HARM—www.P65warnings.ca.gov



DISCHARGING FIREARMS IN POORLY VENTILATED AREAS, CLEANING FIREARMS, OR HANDLING AMMUNITION MAY RESULT IN EXPOSURE TO LEAD AND OTHER SUBSTANCES KNOWN TO THE STATE OF CALIFORNIA TO CAUSE BIRTH DEFECTS, REPRODUCTIVE HARM, AND OTHER SERIOUS PHYSICAL INJURY. MAINTAIN ADEQUATE VENTILATION AT ALL TIMES. WASH HANDS THOROUGHLY AFTER EXPOSURE. SHOOTING OR CLEANING FIREARMS MAY EXPOSE YOU TO LEAD



WARNINGS

1.3 STATE-BY-STATE WARNINGS

Certain states require, by law, that their own specified warning notices, in larger than-normal type be conspicuously included by the manufacturer, distributor, or retail dealer with firearms sold in that state. SIG SAUER sells its products in compliance with applicable laws and regulations. Because our products may be sold in these states, we include the following:



CALIFORNIA: WARNING

Firearms must be handled responsibly and securely stored to prevent access by children and other unauthorized users. California has strict laws pertaining to firearms, and you may be fined or imprisoned if you fail to comply with them. Visit the Web site of the California Attorney General at <https://oag.ca.gov/firearms> for information on firearm laws applicable to you and how you can comply. Prevent child access by always keeping guns locked away and unloaded when not in use. If you keep a loaded firearm where a child obtains and improperly uses it, you may be fined or sent to prison."

If you or someone you know is contemplating suicide, please call the National Suicide Prevention Lifeline at 1-800-273 TALK (8255).



ADVERTENCIA

Las armas de fuego deben manipularse de manera responsable y segura para evitar el acceso de niños y otros usuarios no autorizados. California tiene leyes estrictas relacionadas con armas de fuego, y usted puede ser multado o encarcelado si no las cumple. Visite el sitio web del fiscal general de California en <https://oag.ca.gov/firearms> para obtener información sobre las leyes de armas de fuego que son aplicables y cómo puede cumplirlas. Evite el acceso de niños manteniendo siempre las armas bloqueadas y descargadas cuando no estén en uso. Si mantiene un arma de fuego cargada donde un niño puede obtener y la usa indebidamente, se le puede multar o enviar a prisión.

Si usted o alguien que conoce está contemplando el suicidio, llame a la Línea Nacional de Prevención del Suicidio al 1-800-273 TALK (8255).



WARNINGS

SIG SAUER

CONNECTICUT:

"UNLAWFUL STORAGE OF A LOADED FIREARM MAY RESULT IN IMPRISONMENT OR FINE."

FLORIDA:

"IT IS UNLAWFUL, AND PUNISHABLE BY IMPRISONMENT AND FINE, FOR ANY ADULT TO STORE OR LEAVE A FIREARM IN ANY PLACE WITHIN THE REACH OR EASY ACCESS OF A MINOR UNDER 18 YEARS OF AGE OR TO KNOWINGLY SELL OR OTHERWISE TRANSFER OWNERSHIP OR POSSESSION OF A FIREARM TO A MINOR OR A PERSON OF UNSOUND MIND."

MAINE:

"ENDANGERING THE WELFARE OF A CHILD IS A CRIME. IF YOU LEAVE A FIREARM AND AMMUNITION WITHIN EASY ACCESS OF A CHILD, YOU MAY BE SUBJECT TO FINE, IMPRISONMENT OR BOTH. KEEP FIREARMS AND AMMUNITION SEPARATE. KEEP FIREARMS AND AMMUNITION LOCKED UP. USE TRIGGER LOCKS."

MARYLAND:

"WARNING: CHILDREN CAN OPERATE FIREARMS WHICH MAY CAUSE DEATH OR SERIOUS INJURY. IT IS A CRIME TO STORE OR LEAVE A LOADED FIREARM IN ANY LOCATION WHERE AN INDIVIDUAL KNEW OR SHOULD HAVE KNOWN THAT AN UNSUPERVISED MINOR WOULD GAIN ACCESS TO THE FIREARM. STORE YOUR FIREARM RESPONSIBLY!"



WARNINGS

MASSACHUSETTS:

“WARNING FROM THE MASSACHUSETTS ATTORNEY GENERAL:
This handgun is not equipped with a device that fully blocks use by unauthorized users. More than 200,000 firearms like this one are stolen from their owners every year in the United States. In addition, there are more than a thousand suicides each year by younger children and teenagers who get access to firearms. Hundreds more die from accidental discharge. It is likely that many more children sustain serious wounds, or inflict such wounds accidentally on others. In order to limit the chance of such misuse, it is imperative that you keep this weapon locked in a secure place and take other steps necessary to limit the possibility of theft or accident. Failure to take reasonable preventative steps may result in innocent lives being lost, and in some circumstances may result in your liability for these deaths.”



WARNINGS

SIG SAUER

MASSACHUSETTS: - Continued

“IT IS UNLAWFUL TO STORE OR KEEP A FIREARM, PISTOL, SHOTGUN OR MACHINE GUN IN ANY PLACE UNLESS THAT WEAPON IS EQUIPPED WITH A TAMPER RESISTANT SAFETY DEVICE OR IS STORED OR KEPT IN A SECURELY LOCKED CONTAINER.”

NEW JERSEY:

“IT IS A CRIMINAL OFFENSE TO LEAVE A LOADED FIREARM WITHIN EASY ACCESS OF A MINOR.”

NEW YORK CITY, NY:

“THE USE OF A LOCKING DEVICE OR SAFETY LOCK IS ONLY ONE ASPECT OF RESPONSIBLE FIREARMS STORAGE. FOR INCREASED SAFETY, FIREARMS SHOULD BE STORED UNLOADED AND LOCKED IN A LOCATION THAT IS BOTH SEPARATE FROM THEIR AMMUNITION AND INACCESSIBLE TO CHILDREN AND OTHER UNAUTHORIZED PERSONS.”



WARNINGS

NORTH CAROLINA:

Any person who resides in the same premises as a minor, owns or possesses a firearm, and stores or leaves the firearm (i) in a condition that the firearm can be discharged and (ii) in a manner that the person knew or should have known that an unsupervised minor would be able to gain access to the firearm, is guilty of a Class 1 misdemeanor if a minor gains access to the firearm without the lawful permission of the minor's parents or a person having charge of the minor and the minor:

- (1) Possesses it in violation of G.S. 14-269.2(b)
- (2) Exhibits it in a public place in a careless, angry, or threatening manner;
- (3) Causes personal injury or death with it not in self defense; or
- (4) Uses it in the commission of a crime.

TEXAS:

"IT IS UNLAWFUL TO STORE, TRANSPORT, OR ABANDON AN UNSECURED FIREARM IN A PLACE WHERE CHILDREN ARE LIKELY TO BE AND CAN OBTAIN ACCESS TO THE FIREARM."

WISCONSIN:

"IF YOU LEAVE A LOADED FIREARM WITHIN THE REACH OR EASY ACCESS OF A CHILD YOU MAY BE FINED OR IMPRISONED OR BOTH IF THE CHILD IMPROPERLY DISCHARGES, POSSESSES, OR EXHIBITS THE FIREARM."

Please check with your licensed retailer, state police, or local police for additional warnings, which may be required by local law or regulation. Such regulations change constantly, and local authorities are in the best position to advise you on such legal matters.



WARNINGS

SIG SAUER

1.4 LOCKING DEVICES



All firearms are originally shipped with a key-operated locking device, except for Custom Works firearms that are shipped with a lockable case.

Although it can help provide secure storage for your unloaded firearm, any locking device can fail.

All firearms are designed to fire if they are loaded and the trigger is pressed.

Therefore, never install the locking device inside the trigger guard or in any way that makes it possible to press the trigger! Do not leave the keys in the lock.

The ultimate responsibility for secure storage of any firearm must depend upon its owner and his or her individual circumstances.

Firearms should be stored unloaded, in a secure location, separate from their ammunition.

To maximize effectiveness and reduce the chances of malfunction or damage to a firearm, ALWAYS refer to the locking device's manufacturer directions for installation and removal of the device.



WARNINGS

1.5 SAFETY INFORMATION

This operator's manual is designed to assist you in learning how to use and care for your SIG SAUER® firearm properly.

Only when you are certain that you fully understand this manual and can properly carry out its instructions, should you practice loading and firing your firearm with live ammunition. Having a firearm in your possession is a full-time job; you cannot guess and you cannot forget. You must know how to use your firearm safely.

If you have any doubts about your ability to handle or use this firearm safely, you should seek supervised instruction.

The SIG SAUER Academy provides all levels of firearms safety and skill training, from beginner to expert.

For more information contact:

SIG SAUER[®]
ACADEMY

sigsaueracademy.com • (603) 610-3400
Epping, New Hampshire

SAFETY MUST BE THE FIRST AND CONSTANT CONSIDERATION OF EVERY PERSON WHO HANDLES FIREARMS AND AMMUNITION.

For more information about safety, responsible firearms ownership, and shooting sports, contact:
National Rifle Association (NRA) of America
11250 Waples Mill Road, Fairfax, VA 22030-7400 • 1-800-672-3888
nra.com

THIS PAGE INTENTIONALLY LEFT BLANK



Contents

1.0 Safety Warnings	2
1.1 Eye And Ear Protection	9
1.2 Ammunition	9
1.3 State-By-State Warnings	14
1.4 Locking Devices	19
1.5 Safety Information	20
2.0 Mechanical Characteristics	24
2.1 Description of Firearm	24
2.2 Main Components and Operator Controls (Standard Controls)	26
3.0 Handling	28
3.1 Preparation Instructions	28
3.2 Magazine Disconnect Mechanism	28
3.3 Manual Safety–Equipped Pistols	29
3.4 Loaded Chamber Indicator (LCI)–Equipped Pistols	30
3.5 Loading the Magazine	32
3.6 Loading the Pistol	34
3.7 Reloading During Shooting	38
4.0 Firing	41
4.1 Stoppages and malfunctions	42
4.2 Minimizing stoppages	44
4.3 Firing the Pistol	45
5.0 Unloading the Pistol	46
5.1 Unloading the Pistol (Magazine Not Empty)	47
6.0 Troubleshooting Guide	52
7.0 Maintenance	54
7.1 Pistol Disassembly	54
7.2 Magazine Disassembly	59
7.3 Cleaning and Lubricating	61
7.4 Pistol Assembly	66

7.5 Magazine Assembly	70
7.6 Function Check.	72
8.0 Pistol Adjustments	76
8.1 Torque Specifications	77
8.2 Sight Plate Removal and Installation.	78
8.3 Blanking Plate Removal and Installation.	84
8.4 ROMEO Red Dot Optic Removal and Installation	86
8.5 Compensator Removal and Installation	90
8.6 Magazine Catch Removal and Installation	96
8.7 Magazine Funnel Removal and Installation	99
8.8 Fire Control Unit (FCU) Removal and Installation	101
9.0 Sights.	107
9.1 Windage (Left/Right) Adjustment.	109
9.2 Elevation (Up/Down) Adjustment.	110
9.3 Sight Adjustment P320 XSERIES Pistol	111
10.0 Storage and Transportation.	112
11.0 Service and Parts Policy	115
11.1 Shipping Firearms for Repair	117
12.0 Standard Slide Parts Diagram	119
12.1 XSERIES Slide Parts Diagram	120
12.2 P320-RXP/XVTAC Slide Parts Diagram	121
12.3 P320 Spectre Compensated Slide Parts Diagram	122
12.4 P320 PRO Slide Parts Diagram.	123
12.5 Standard Frame Parts Diagram.	124
12.6 XSERIES Frame Parts Diagram	125
12.7 AXG Frame Parts Diagram	126
13.0 Technical Specifications	127
13.1 Specifications by Model.	127
SIG SAUER® Firearms Limited Lifetime Warranty	128
SIG SAUER® Limited Lifetime FCU Warranty	130



2.0 MECHANICAL CHARACTERISTICS

2.1 DESCRIPTION OF FIREARM

2.1.1 GENERAL

The SIG SAUER P320 pistol is a modern handgun incorporating the latest technical advances in firearm design for military, law enforcement, and sporting use. The P320 is a striker fired mechanically locked, short-recoil operated pistol with semi-automatic reloading. Firing takes place with each press of the trigger until the magazine is empty. The slide remains open after the last round has been fired from the magazine. The SIG SAUER P320 is offered in multiple calibers including 9mm and .45 Auto, and has caliber exchange kits for .40 and .357 SIG.

2.1.2 PRINCIPAL FEATURES

The striker safety lock and disconnect safety ensure safe carrying of the weapon and provide instant readiness without actuating a manual safety. Distinctive high-contrast sights, in conjunction with the ergonomically correct grip, ensure rapid target acquisition and engagement, even under poor lighting conditions.

Interchangeable grip modules of different sizes allow for optimal adaptation of the pistol to the individual user. You can easily reconfigure the magazine catch for left- or right-hand operation. All other operating controls are designed so they can be operated from either side.

An accessory rail is integrated into the grip module, facilitating the easy attachment of industry standard tactical accessories.

The closed design of the pistol helps keep dirt and other debris from entering the pistol, reducing the likelihood of malfunction in harsh environmental conditions.

The P320 is offered with an optional ambidextrous manual safety as well as a magazine disconnect mechanism.

THIS PAGE INTENTIONALLY LEFT BLANK



2.2 MAIN COMPONENTS AND OPERATOR CONTROLS (STANDARD CONTROLS)

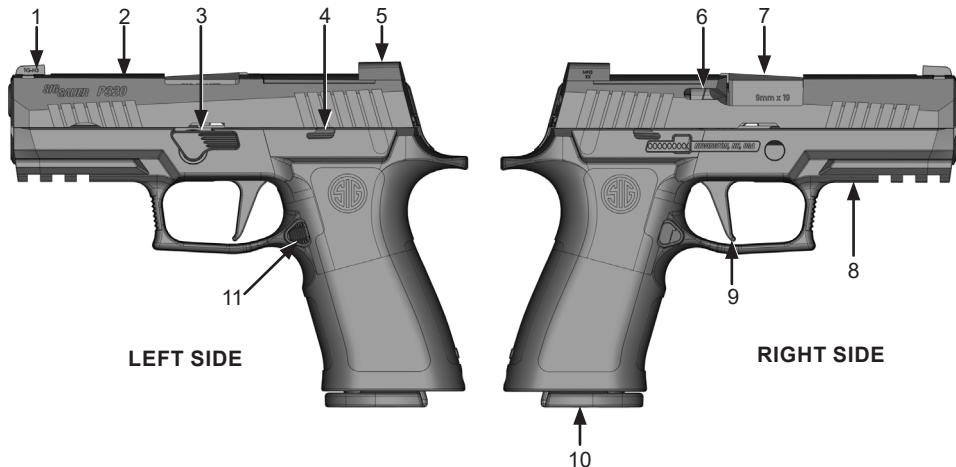


TABLE 1. OPERATOR CONTROLS AND FEATURES

1	Front Sight	The means of aiming the pistol.
2	Slide	Houses extractor,striker assembly, and sights.
3	Takedown Lever	Allows the slide to be removed from the frame.
4	Slide Catch Lever	Locks slide to rear upon firing of last cartridge. Can be used to manually lock slide to rear for maintenance.
5	Rear Sight	The means of aiming the pistol.
6	Extractor	Pulls spent casings or cartridges out of the chamber of the barrel.
7	Barrel	Houses cartridge for firing and directs projectile.
8	Grip Module	Supports frame assembly and magazine
9	Trigger	When pressed actuates the internal components to fire the pistol.
10	Magazine	Holds and positions cartridges in place for feeding.
11	Magazine Catch	Locks magazine into grip module. Releases magazine when pressed. Reversible



3.0 HANDLING

3.1 PREPARATION INSTRUCTIONS



WARNING



BEFORE LOADING, ALWAYS CLEAN ALL GREASE AND OIL FROM THE BORE AND CHAMBER, AND VERIFY THAT NO OBSTRUCTION IS IN THE BARREL. ANY FOREIGN MATTER IN THE BARREL COULD RESULT IN A BULGED OR BURST BARREL OR OTHER DAMAGE TO THE FIREARM, AND COULD CAUSE SERIOUS INJURY TO THE SHOOTER OR TO OTHERS.

Prior to firing the pistol for the first time, we strongly suggest that you perform an initial cleaning and lubrication of the pistol after you unpack it. Any fouling present will have been from final range firing at the factory prior to shipping. Refer to section, "7.3 Cleaning and Lubricating" on page 61 for instructions on cleaning the pistol. If you have the pistol and ammunition and have read and understood all of the instructions in this manual, you are now ready to use the pistol.

3.2 MAGAZINE DISCONNECT MECHANISM

Some models feature a magazine disconnect mechanism which mechanically blocks the movement of the trigger bar, preventing the trigger from being pressed to the rear unless a magazine is inserted.

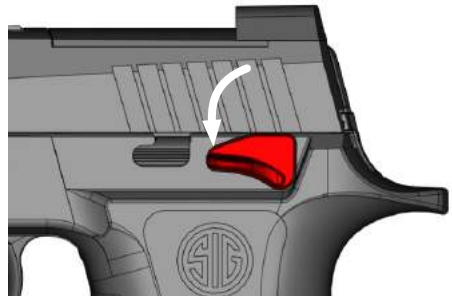
3.3 MANUAL SAFETY—EQUIPPED PISTOLS

The SIG SAUER P320 is offered with an optional ambidextrous manual safety. The manual safety mechanically blocks the movement of the trigger bar, preventing release of the striker.

To engage the manual safety, rotate the manual safety lever upward. The manual safety is ambidextrous. Pressing up on the lever from either side will rotate the opposite lever upward, engaging the manual safety. The slide can be manipulated with the manual safety engaged.



ENGAGE MANUAL SAFETY

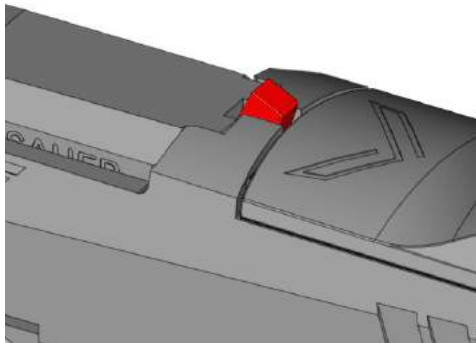


DISENGAGE MANUAL SAFETY

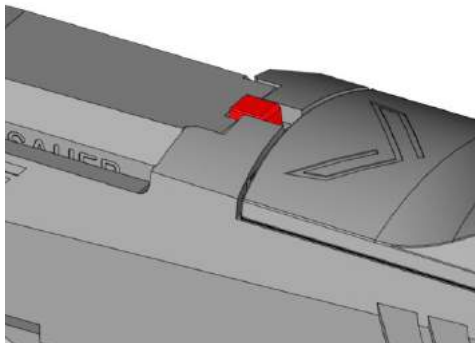


3.4 LOADED CHAMBER INDICATOR (LCI)–EQUIPPED PISTOLS

The loaded chamber indicator provides a tactile indication that there is a live round in the chamber. In limited visibility situations the non-firing hand can be used to determine if the loaded chamber indicator is in the elevated position indicating a live round in the chamber.



ROUND IN CHAMBER



EMPTY CHAMBER

THIS PAGE INTENTIONALLY LEFT BLANK



3.5 LOADING THE MAGAZINE

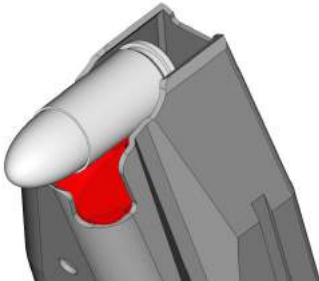
CAUTION

DO NOT ATTEMPT TO INSERT MORE CARTRIDGES THAN THE MAGAZINE'S DESIGNED CAPACITY.

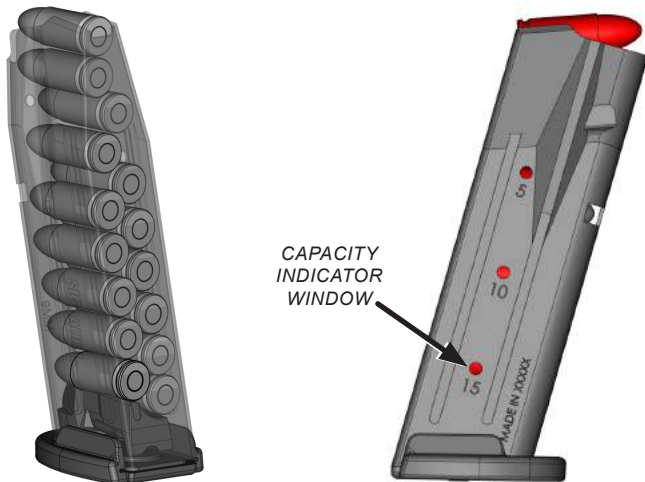
NOTE

Ensure that the magazine is the proper type and caliber for the pistol.

1. Press down on magazine follower by using cartridge case rim. Ensure that bullet is facing the front of magazine.



2. Push the cartridge to the rear and under magazine lips.
3. Repeat until magazine holds the desired number of cartridges or is full. Do not attempt to insert more cartridges than magazine's designed capacity.



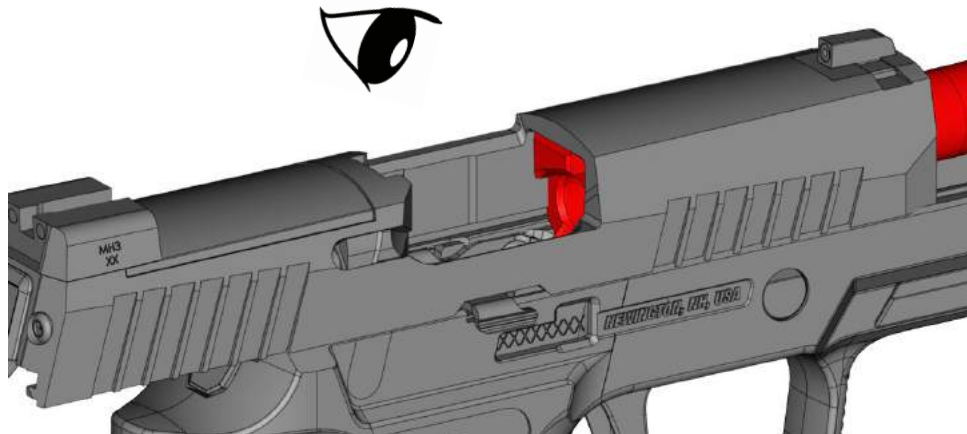


3.6 LOADING THE PISTOL

1. Point pistol in a safe direction. Engage manual safety if so equipped.
2. Fully retract slide and lock it to the rear by pushing up on slide catch lever.



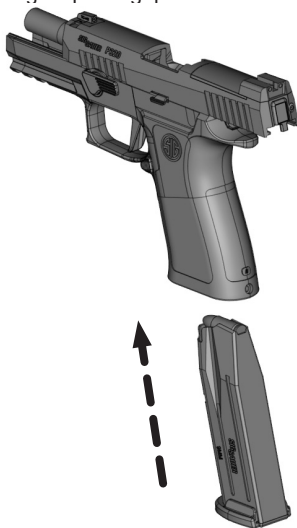
3. Visually and physically inspect the chamber to ensure that it is clear.
4. Inspect breech face and magazine well for any foreign debris.



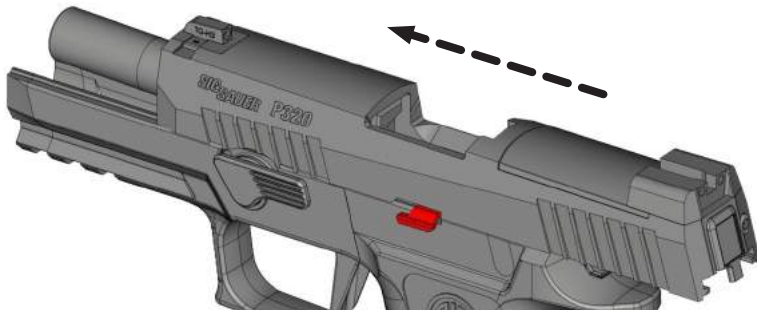


3.5 LOADING THE PISTOL – CONTINUED

5. Insert a loaded magazine, pushing it up into grip module until it locks in place. You should hear an audible click.



6. Release the slide by either:
- Pressing down on the slide catch lever, releasing the slide forward and chambering a cartridge.
 - Pulling back on slide until slide catch lever drops clear of the slide then releasing it to chamber a cartridge. Do not ride slide forward. Failure to properly complete step b may induce a stoppage.



WARNING LOADED PISTOL



THE PISTOL IS NOW LOADED AND READY TO FIRE



3.7 RELOADING DURING SHOOTING

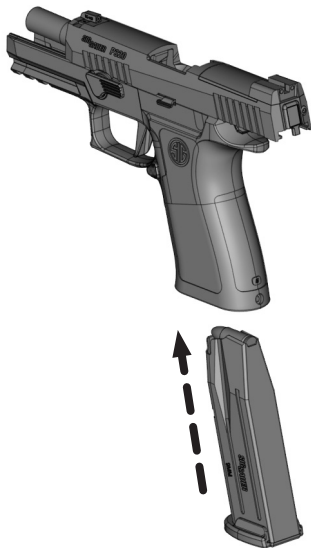
NOTE

When the last cartridge in the magazine is expended, the slide will be locked back in the open position by slide catch lever.

1. Engage manual safety if so equipped.
2. Press magazine catch to remove empty magazine.



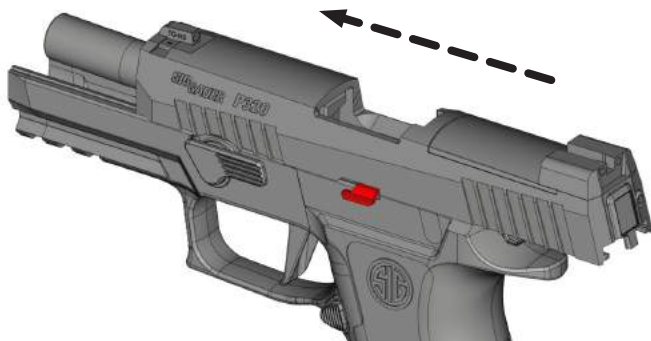
3. Insert a loaded magazine, making sure it is locked into grip module.





3.6 RELOADING DURING SHOOTING – CONTINUED

4. Release the slide by either:
 - a. Pressing down on slide catch lever.
 - b. Pulling back and releasing slide.



WARNING LOADED PISTOL



THE PISTOL IS NOW LOADED AND READY TO FIRE

4.0 FIRING



WARNING LOADED PISTOL



KEEP FINGER OUT OF TRIGGER GUARD AND OFF TRIGGER UNTIL YOU ARE ACTUALLY READY TO FIRE THE PISTOL.

Keep the muzzle pointed in a safe direction and your finger off of the trigger and out of the trigger guard when cycling the slide of any pistol.

Never discharge any firearm with your finger, hand, face, or other part of your body over or adjacent to the ejection port, or in any position where you may be struck by the reciprocating movement of the slide. Both the ejection of empty cartridge cases and the movement of the slide are part of the normal operating cycle of firearms and pose no safety hazard to the shooter if the firearm is held in a normal grip and fired at arm's length.

Never allow other persons to stand beside you where they might be struck by an ejected cartridge case. The case is hot and may be ejected with sufficient force to cause a burn, cut, or other injury. Wear safety glasses to protect your eyes. Make certain that there is a clear, unobstructed path for safe ejection of the fired case. Remember, the case might bounce off a hard object nearby and strike you or someone else.



4.1 STOPPAGES AND MALFUNCTIONS



WARNING STOPPAGE



STOP SHOOTING IMMEDIATELY! UNLOAD AND CLEAR THE FIREARM.

A stoppage is defined as an interruption in the pistols cycle of function that can be cleared by the operator applying immediate action. Immediate action are the steps taken by the operator to place the pistol back in service without investigating the cause of the stoppage. When practical, always stop shooting and investigate the cause of a stoppage in the manner outlined below.

If while shooting, your firearm develops a stoppage, or a discharged round sounds or feels unusual, stop shooting immediately. It may be dangerous to continue. Do not try one more shot. Keep the firearm pointed in a safe direction and unload and clear the firearm immediately by removing the magazine, locking the slide to the rear and clearing any expended or live ammunition from the firearm, visually and physically checking the chamber, breech face, and magazine well.

With the firearm unloaded and cleared, perform an additional visual inspection of the firearm and the ammunition. If you suspect a bore obstruction, refer to section, 1.2 AMMUNITION - OBSTRUCTED BORE. If damage to the firearm is found upon inspection, the stoppage persists or a malfunction (defined as a failure of a part rendering the firearm inoperable and requiring the service of an authorized SIG SAUER Armorer) is suspected, take the firearm and ammunition to a certified SIG SAUER Armorer for service.

**WARNING COOK-OFF**

IF YOUR PISTOL STOPS FIRING WITH A LIVE ROUND IN THE CHAMBER OF A HOT BARREL (A MISFIRE OR STOPPAGE), REMOVE THE ROUND IMMEDIATELY. IF YOU CANNOT REMOVE THE ROUND WITHIN 10 SECONDS, REMOVE THE MAGAZINE AND WAIT AT LEAST 15 MINUTES WITH THE PISTOL POINTING IN A SAFE DIRECTION. THIS WAY, NEITHER THE USER NOR ANY OTHER PERSON WOULD BE INJURED BY THE POSSIBILITY OF A ROUND “COOKING-OFF” (A ROUND DETONATING DUE TO THE HEAT OF THE BARREL). KEEP YOUR FACE AWAY FROM THE EJECTION PORT WHILE CLEARING A HOT CHAMBER.



4.2 MINIMIZING STOPPAGES

- You can help minimize most stoppages by cleaning and lubricating the pistol. See section, "7.3 Cleaning and Lubricating" on page 61".
- Cleaning and lubricating your pistol after each range session will reduce the chances of a stoppage due to dirt and residue buildup.
- Perform maintenance if the firearm is exposed to extreme environmental conditions (rain, snow, freezing temperatures, etc.).
- Periodically inspect the pistol if it is to be stored for extended periods of time without use.
- Most stoppages are directly related to the magazine. Perform maintenance of your magazines as well as the firearm. See section, "7.2 Magazine Disassembly" on page 59.
- A good practice is to mark the magazines so you can identify a magazine that is related to a stoppage.

4.3 FIRING THE PISTOL



WARNING EJECTION



THE SLIDE OPENS AND SHUTS QUICKLY WHILE FIRING. KEEP FACE AND HANDS AWAY FROM IT. HOT BRASS, UNBURNT POWDER, AND GAS IS EJECTED QUICKLY AND CAN BURN YOU. ALWAYS WEAR SAFETY GLASSES AND HEARING PROTECTION.



1. Aim the pistol at a safe target and disengage manual safety if so equipped.
2. Place your finger on trigger and press trigger rearward to discharge.
3. Keep the pistol aimed at target and continue to fire as desired or until magazine is empty.
4. Engage manual safety if so equipped.
5. To unload and clear proceed to section, "5.0 Unloading the Pistol" on page 46.



5.0 UNLOADING THE PISTOL

When there is a cartridge in the chamber, the cartridge will discharge if the trigger is pressed. It is absolutely essential for you to know how to completely unload the pistol. “Completely” means emptying the magazine and removing a chambered cartridge.



WARNING UNLOAD/CLEAR

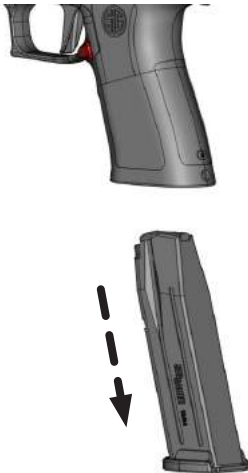


REMOVING THE MAGAZINE FROM THE PISTOL DOES NOT PREVENT IT FROM BEING FIRED. PISTOL WILL FIRE A CHAMBERED CARTRIDGE EVEN WITH MAGAZINE REMOVED.

1. Always make sure the muzzle is pointed in a safe direction. Remember to clear the chamber after the magazine has been removed.
2. Never assume that any firearm is unloaded until you have personally checked it, visually and physically.
3. After every range session, make a final check to be certain the firearm is unloaded before leaving the range.

5.1 UNLOADING THE PISTOL (MAGAZINE NOT EMPTY)

1. Keep the muzzle pointed in a safe direction and engage manual safety if so equipped.
2. Press magazine catch and remove magazine.



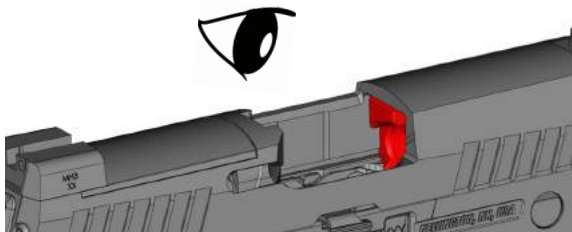


5.1 UNLOADING THE PISTOL (MAGAZINE NOT EMPTY) – CONTINUED

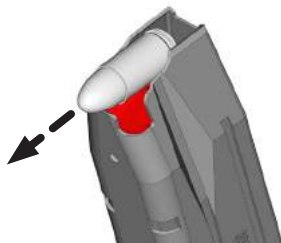
3. Pull the slide completely to the rear while watching for the ejection of a live cartridge. Push up on slide catch lever, locking slide open.



4. Visually and physically check the chamber, magazine well, and breech face to ensure that pistol is completely free of ammunition.



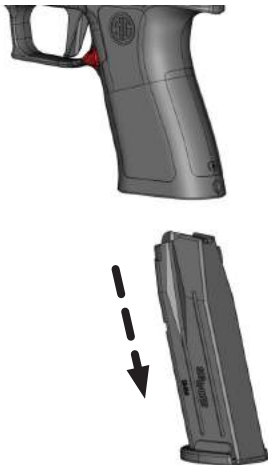
5. Press slide catch lever, causing slide to close.
6. Unload magazine.



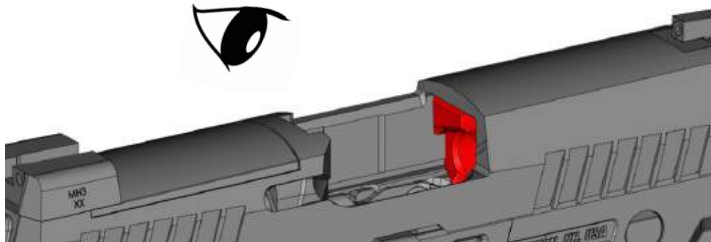


7. UNLOADING THE PISTOL (MAGAZINE EMPTY, SLIDE OPEN)

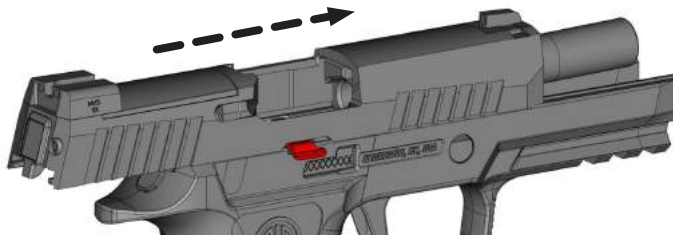
1. Keep the muzzle pointed in a safe direction and engage manual safety if so equipped.
2. Press magazine catch and remove magazine.



3. Visually and physically check the chamber, magazine well, and breech face to ensure that pistol is completely free of ammunition.



4. Press slide catch lever, causing slide to close.





6.0 TROUBLESHOOTING GUIDE

Stoppage	Cause	Correction
<i>Failure to Feed</i>		
No cartridge fed into chamber. Cartridge partially still in magazine	Magazine not properly inserted or is deformed or dirty	Correctly insert magazine or replace magazine
	Damaged/broken magazine spring	Replace magazine
	Relaxed grip/shooter induced	Increase grip on pistol
<i>Failure to Chamber</i>		
Cartridge is free from magazine but not fully seated into chamber.	Dirty chamber	Clean chamber
	Damaged ammunition	Replace ammunition
	Weak or broken recoil spring guide assembly	Return to SIG SAUER for repair
	Relaxed grip/shooter induced	Increase grip on pistol
<i>Failure to Fire</i>		
Trigger is pressed but no detonation	Faulty ammunition	Replace ammunition
	Slide not fully locked forward	Pull slide to rear and release
	Damaged/broken striker assembly	Return to SIG SAUER for repair

Stoppage	Cause	Correction
<i>Failure to Extract</i>		
Expended case remains in chamber	Dirty chamber	Clean chamber/bore
	Broken extractor or extractor spring	Return to SIG SAUER for repair
<i>Failure to Eject</i>		
Expended case remains in ejection port	Damaged/broken ejector/slide catch lever	Return to SIG SAUER for repair



7.0 MAINTENANCE



WARNING UNLOAD/CLEAR



VERIFY THAT THE MAGAZINE IS REMOVED, VISUALLY AND PHYSICALLY CONFIRM THE PISTOL IS UNLOADED AND CLEARED BEFORE ATTEMPTING DISASSEMBLY OR PERFORMING ANY MAINTENANCE STEPS. FAILURE TO ENSURE THE FIREARM IS UNLOADED AND CLEARED COULD RESULT IN UNINTENTIONAL DISCHARGE, CAUSING SEVERE INJURY OR DEATH, OR PROPERTY DAMAGE.

7.1 PISTOL DISASSEMBLY

1. Unload /clear the pistol. See section, "5.0 Unloading the Pistol" on page 46.
2. Lock slide to the rear by pulling slide rearward and pushing up on slide catch lever.



3. Rotate takedown lever clockwise until it stops.





7.1 PISTOL DISASSEMBLY – CONTINUED



WARNING PARTS UNDER SPRING TENSION

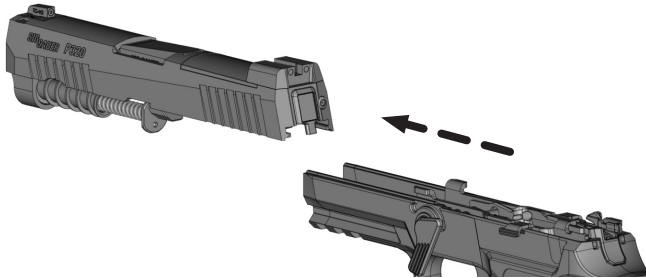


SLIDE IS UNDER SPRING TENSION. MAINTAIN POSITIVE CONTROL DURING SLIDE REMOVAL TO PREVENT DAMAGE OR INJURY. WEAR EYE PROTECTION

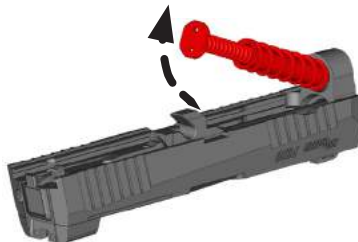
4. Pull slide slightly rearward to disengage slide catch lever; keep hold of slide assembly.



5. Guide the complete slide assembly (slide, barrel, recoil spring, and guide) forward and off the frame.



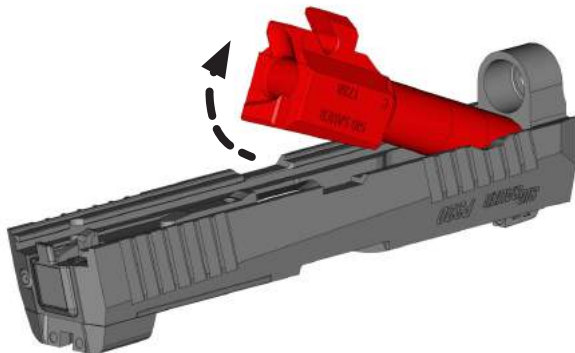
6. Push recoil spring guide forward slightly and lift from rear to remove recoil spring guide assembly from slide.





7.1 PISTOL DISASSEMBLY – CONTINUED

7. Remove barrel from slide by pulling it upward slightly and to the rear.

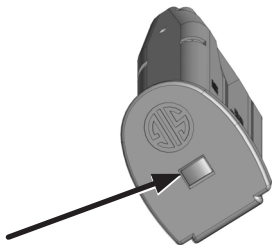


NOTE

This level of disassembly is sufficient to allow a thorough cleaning after firing.

7.2 MAGAZINE DISASSEMBLY

1. Locate bottom of magazine floorplate.



WARNING PARTS UNDER SPRING TENSION

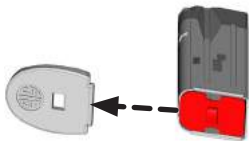


THE MAGAZINE SPRING IS COMPRESSED. UNCONTROLLED RELEASE CAN CAUSE INJURY. WEAR EYE PROTECTION.

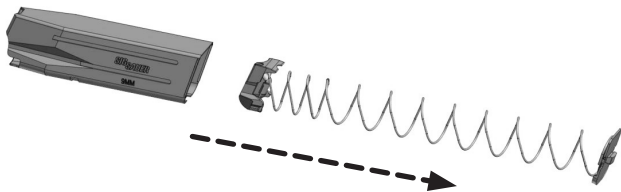


7.2 MAGAZINE DISASSEMBLY – CONTINUED

- Using a punch or similar tool, push the tab of the magazine insert forward, then down, to release floorplate.



- Remove magazine follower and magazine spring from magazine tube.



7.3 CLEANING AND LUBRICATING



WARNING CLEANING



READ AND FOLLOW THE MANUFACTURER'S WARNINGS BEFORE USING SOLVENTS OR CLEANERS. WEAR EYE PROTECTION.

CAUTION

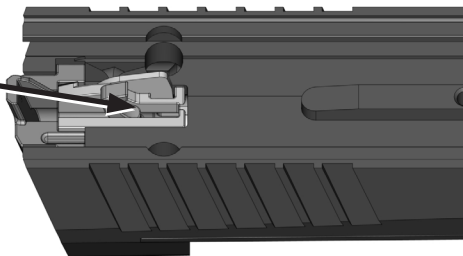
NEVER CLEAN THE BARREL FROM THE MUZZLE END; DO NOT USE A STEEL WIRE BRUSH AS IT CAN DAMAGE THE SMOOTH SURFACE OF THE BARREL. USE A SUITABLE CLEANING ROD AND BRONZE BRUSH OF THE CORRECT CALIBER. SOLVENTS CAN BE HARMFUL TO THE SURFACE FINISH OF THE PISTOL. AVOID OVER-LUBRICATION OF COMPONENTS.



7.3 CLEANING AND LUBRICATING – CONTINUED

CAUTION

DO NOT LUBRICATE THE STRIKER OR ALLOW LUBRICANT TO FLOW INTO THE STRIKER CHANNEL OF THE SLIDE. THIS MAY CAUSE A LIGHT STRIKE TO THE CARTRIDGE RESULTING IN A FAILURE TO FIRE.



MATERIALS REQUIRED

- Cleaning patches
- Rag, wiping
- Bore brush of the proper caliber
- Cleaning rod
- CLP (Cleaning, Lubricant, Protective)
- Lubricant, Low Temperature when applicable
- Brush, cleaning

The following instructions are for normal environmental conditions. Clean and lube before or after every day the pistol is fired or at a minimum of every 500 rounds.

SLIDE ASSEMBLY

1. Remove all of the old lubricant before you reapply.
2. Clean the slide assembly with a cloth. A soft brush and CLP can be used to clean excessive dirt and carbon buildup. Ensure the extractor, rail slots and breech face are free of dirt and residue.
3. Apply a light coat of CLP to the frame rail slots of the slide.
4. Lightly oil all external parts.
5. Do not lubricate the striker assembly.



7.3 CLEANING THE P320 PISTOL – CONTINUED

BARREL

1. Soak a patch with CLP and push it through the bore from the chamber end and out past the muzzle.
2. Allow the CLP to soak for several minutes to loosen residue and soften carbon deposits.
3. Wipe the exterior of the barrel with a cloth soaked in CLP.
4. Repeat step #1.
5. Use the bore brush and a cleaning rod to scrub heavy deposits from the bore.
6. Repeat step #1.
7. Push dry patches through the bore until they come out clean.
8. Lightly oil bore and chamber if the pistol is to be stored for a period of time.
9. Always remove any lubricant from the bore prior to firing the pistol.

RECOIL SPRING AND GUIDE ASSEMBLY

The P320 recoil spring and guide assembly is not to be disassembled. It is serviced as a single unit.

1. Clean the recoil spring guide assembly with CLP and a soft brush.
2. After cleaning, apply a light coat of CLP.

FRAME/GRIP MODULE ASSEMBLY

1. Wipe the frame and grip module assembly with a soft cloth.
2. Use cotton swabs to clean hard to reach areas. Pay special attention to the frame rails, takedown lever and slide catch lever.
3. Lubricate the frame rails with a light coat of CLP.
4. Apply CLP to accessible functioning parts.
5. Clean the magazine well of any dirt, dust or residue with a soft cloth.

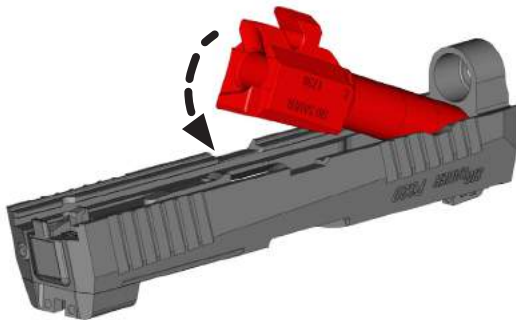
MAGAZINE

1. Wipe the magazine tube and follower with a cloth. Clean the magazine tube and follower with a soft brush and CLP.
2. Use a cloth to clean the magazine spring, floorplate, and base plate.
3. Apply a light coat of CLP to the spring and magazine tube.



7.4 PISTOL ASSEMBLY

1. Verify that pistol is clear of all foreign matter.
2. Insert barrel into slide.

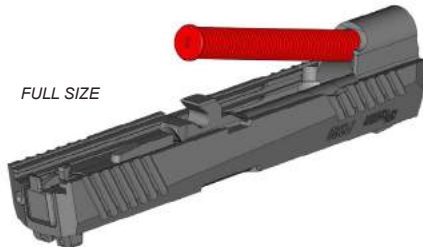


WARNING PARTS UNDER SPRING TENSION

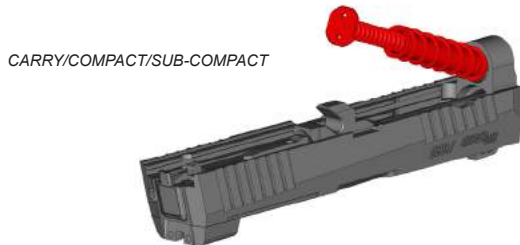


THE RECOIL SPRING AND GUIDE ARE UNDER SPRING TENSION. USE CAUTION TO PREVENT INJURY OR DAMAGE TO THE PISTOL. WEAR EYE PROTECTION.

3. For full size pistol insert recoil spring guide assembly into slide.



- a. For Carry, Compact, and Sub-Compact pistols, insert recoil spring assembly into slide. You must rotate the spring guide so the flats are vertical.





7.4 PISTOL ASSEMBLY – CONTINUED

- b. For X5 Legion, insert guide rod into spring then compress spring while inserting the guide rod and spring into slide.



X5 LEGION

4. Ensure takedown lever is rotated clockwise fully to the stop.



5. Guide slide onto frame rails from the front.
6. Retract slide fully to the rear. Engage slide catch lever to lock slide in the open position.
7. Rotate takedown lever counterclockwise until horizontal.



8. Press slide catch lever to release slide.





7.5 MAGAZINE ASSEMBLY

1. Orient magazine follower on magazine spring and insert into the bottom of magazine tube.

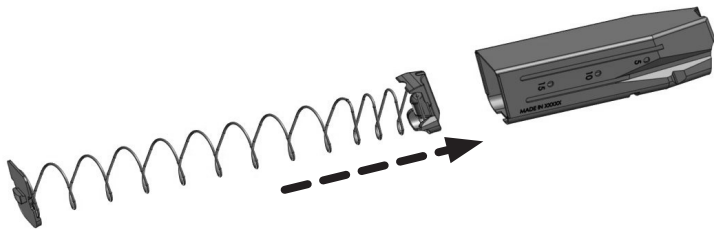


WARNING PARTS UNDER SPRING TENSION

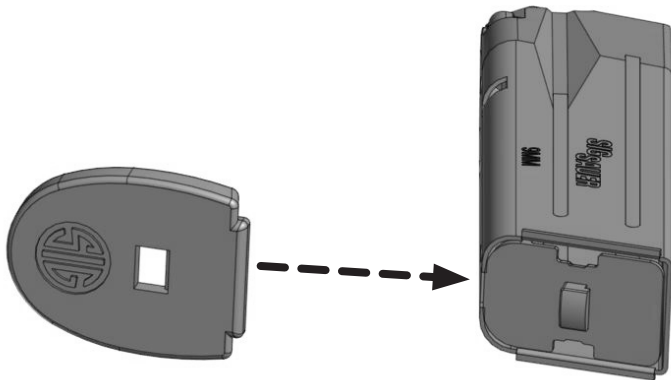


THE MAGAZINE SPRING IS BEING COMPRESSED DURING ASSEMBLY. GUARD THE MAGAZINE INSERT AND MAGAZINE SPRING WITH YOUR THUMB TO CONTROL MAGAZINE SPRING TENSION. UNCONTROLLED RELEASE CAN CAUSE INJURY. WEAR EYE PROTECTION.

2. Insert magazine spring fully into magazine tube until magazine insert is flush with magazine tube bottom.



3. Holding magazine insert in place, slide magazine floorplate onto magazine tube lips until magazine floorplate is locked in place by magazine insert.





7.6 FUNCTION CHECK

The function check is performed on the assembled pistol to verify functionality. It should be performed after the completion of repairs and after each cleaning and assembly of the pistol.



WARNING UNLOAD/CLEAR

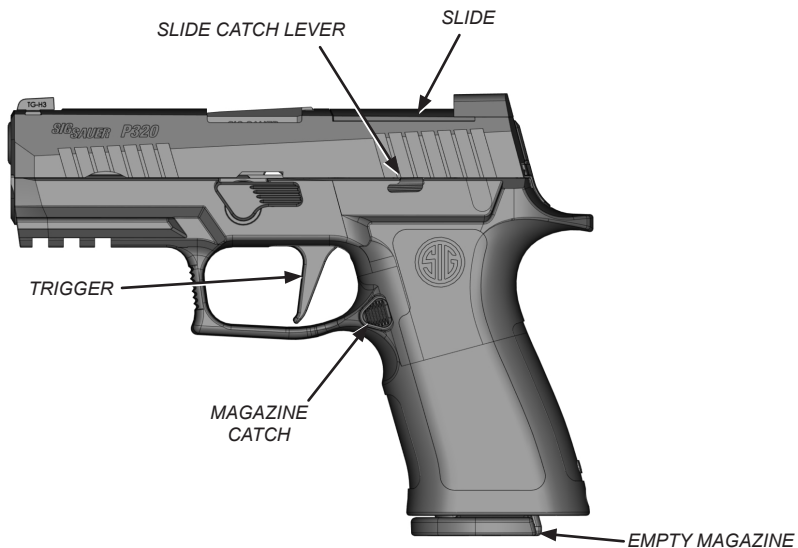


VERIFY THAT THE MAGAZINE IS REMOVED. VISUALLY AND PHYSICALLY CONFIRM THAT THE PISTOL IS UNLOADED AND CLEARED BEFORE CONDUCTING THE FUNCTION. KEEP THE PISTOL POINTED IN A SAFE DIRECTION DURING THE ENTIRE FUNCTION. FAILURE TO ENSURE THAT THE FIREARM IS UNLOADED AND CLEARED COULD RESULT IN UNINTENTIONAL DISCHARGE, CAUSING SEVERE INJURY OR DEATH, OR PROPERTY DAMAGE.

SHOULD THE P320 FAIL ANY OF THE PROCEDURES ASSOCIATED WITH THE FUNCTION , CONTACT YOUR SIG SAUER DEALER OR DISTRIBUTOR.

1. Ensure the magazine is removed and the pistol is unloaded and cleared. See section, "5.0 Unloading the Pistol" on page 46.
2. Insert an empty magazine into the magazine well. You should hear an audible click and the magazine catch should hold the magazine in place.
3. Grasp the slide and pull it completely to the rear. The follower of the magazine should push up the slide catch lever, locking the slide to the rear.
4. Press the magazine catch. The magazine must fall free of the pistol under its own weight.

5. Press the slide catch lever to release the slide to its forward position.





IF YOUR PISTOL IS NOT EQUIPPED WITH A MANUAL SAFETY, SKIP TO STEP 9

6. If the pistol is equipped with a manual safety, push up on the manual safety lever to engage the safety.
7. Press the trigger. The striker should NOT be released. Release the trigger.
8. Press down on the manual safety lever to disengage the safety.



9. Press the trigger to the rear and HOLD. The striker should release and you should hear and feel a loud audible click.
10. With the trigger still pressed to the rear, pull the slide completely to the rear and release.
11. Release the trigger. You should hear and feel a light audible click as the striker resets.
12. Press the trigger. The striker should release and you should hear and feel a loud audible click.

CAUTION

NEVER USE A FIREARM OR MAGAZINE THAT SHOWS SIGNS OF DAMAGE OR FAILS A FUNCTION CHECK. VERIFY THE MAGAZINE IS THE CORRECT MODEL AND CALIBER FOR THE PISTOL. IF THE CONDITION OR FUNCTION OF THE PISTOL OR MAGAZINE IS SUSPECT, RETURN THE PISTOL OR MAGAZINE TO SIG SAUER FOR EVALUATION. VERIFY THE CONDITION AND FUNCTION.



8.0 PISTOL ADJUSTMENTS

GENERAL INFORMATION

The P320 pistol is designed for both right-hand and left-hand operation and a variety of hand sizes. The slide catch lever can be operated from either side. The magazine catch may be repositioned to either side based on shooter preference. The grip module may be replaced by the shooter, providing a range of ergonomically correct grip configurations.



WARNING UNLOAD/CLEAR



VERIFY THE MAGAZINE IS REMOVED, VISUALLY AND PHYSICALLY CONFIRM THE PISTOL IS UNLOADED AND CLEARED BEFORE ATTEMPTING DISASSEMBLY OR PERFORMING ANY MAINTENANCE STEPS. FAILURE TO ENSURE THE FIREARM IS UNLOADED AND CLEARED COULD RESULT IN UNINTENTIONAL DISCHARGE, CAUSING SEVERE INJURY OR DEATH, OR PROPERTY DAMAGE.

8.1 TORQUE SPECIFICATIONS

NOTE

Torque values will be listed as in-lbf for inch pounds of force and ft-lbf for foot pounds of force. If there is no Nylok® patch present on the fastener, use specified Loctite®.

NOMENCLATURE	PAGE	QTY	in-lbf	nm	THREAD LOCKER OR EQUIVALENT
Sight Plate Screws	81	2	20	2.26	LOCTITE 243
Blanking Plate Screws	85	2	25	2.82	LOCTITE 243
Romeo Mounting Screws	88	2	25	2.82	LOCTITE 243
Barrel Compensator Threads	93	1	N/A	N/A	LOCTITE 246
Compensator Attachment Screws	94	2	20	2.26	LOCTITE 243
Magazine Funnel Screw	100	1	6	.67	LOCTITE 243
AXG Magazine Funnel Screw	100	1	11	1.24	LOCTITE 243

NOTE

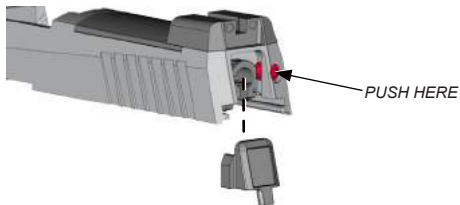
Fasteners with Nylok patch are reusable. Do not remove Nylok patch if present. Fasteners with Loctite must have old Loctite removed and threads cleaned prior to applying new Loctite



8.2 SIGHT PLATE REMOVAL AND INSTALLATION

8.2.1 SIGHT PLATE REMOVAL

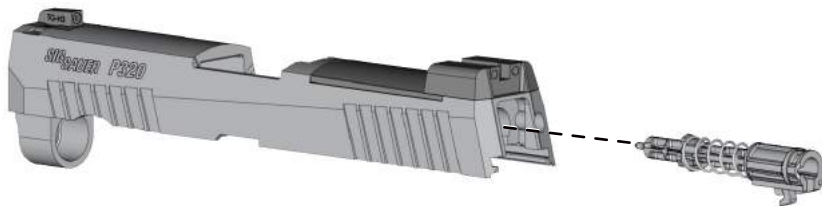
1. Disassemble pistol. See section, "7.1 Pistol Disassembly" on page 54.
2. Push in on extractor plus pin with a pin punch and pull rear slide cap down and out of slide



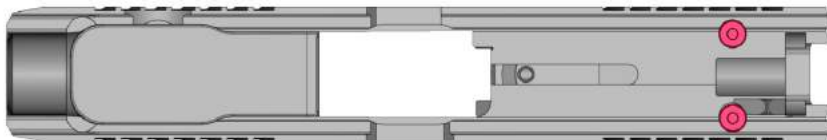
3. Remove extractor plus pin, extractor spring, extractor pin and extractor from slide



4. Remove striker assembly from slide.



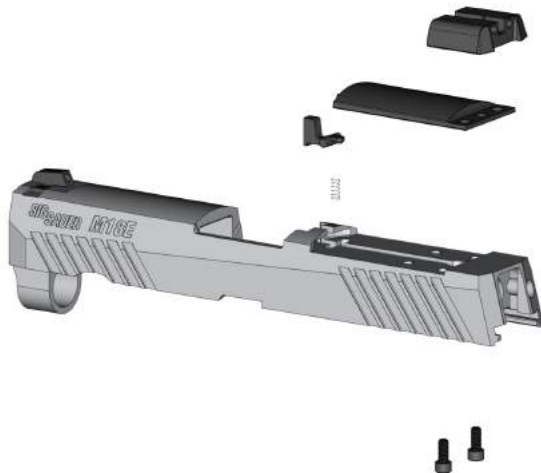
5. Use 3/32 in. Hex drive bit to remove the sight plate screws from bottom of slide.





8.2.1 SIGHT PLATE REMOVAL – CONTINUED

6. Lift sight and plate from slide to expose LCI post (if equipped), then remove LCI post and spring from slide.



8.2.2 SIGHT PLATE INSTALLATION

NOTE

Sight plate screws are for securing the rear sight and sight plate only.

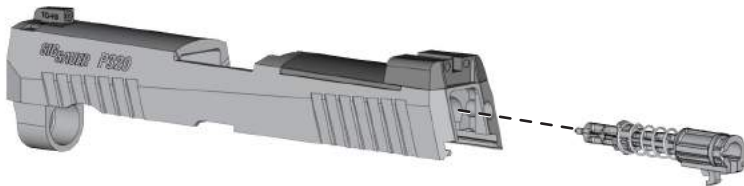
1. Install LCI post and spring into slide.
2. Install sight plate and sight onto slide and hold LCI post and spring in place.
3. Insert sight plate screws into the bottom of slide and tighten to 20 in-lbf using a 3/32 in. Hex drive bit.



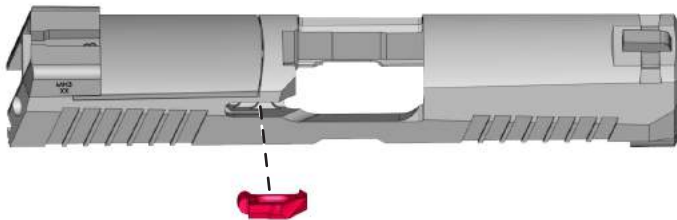


8.2.2 SIGHT PLATE INSTALLATION – CONTINUED

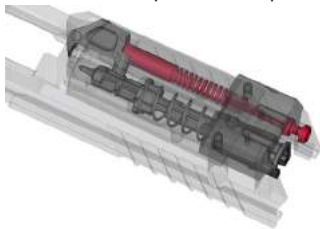
4. Insert striker assembly into rear of slide.



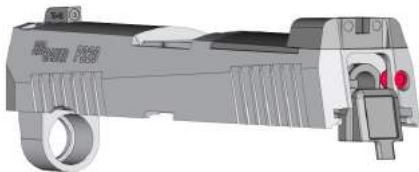
5. Insert extractor into right side of slide.



6. Insert extractor pin, extractor spring, and extractor plus pin into the channel on the right side of slide. Ensure the flat surface of extractor pin rests on post of extractor.



7. Start rear slide cap up into the slots in rear of slide. Press extractor plus pin inward and push rear slide cap the remaining way into slide. Release pressure on extractor plus pin.





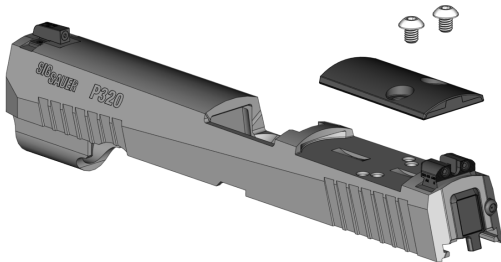
8.3 BLANKING PLATE REMOVAL AND INSTALLATION

8.3.1 BLANKING PLATE REMOVAL

1. Use T20 drive bit to remove the blanking plate screws from top of slide.



2. Remove blanking plate.

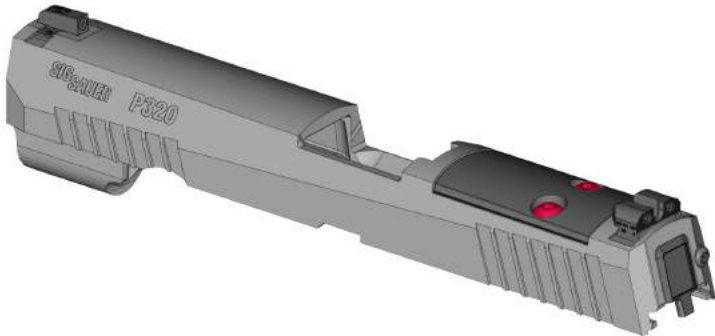


8.3.2 BLANKING PLATE INSTALLATION

NOTE

Blanking plate screws are for securing the blanking plate only.

1. Place blanking plate into its slot in slide.
2. Insert blanking plate screws and tighten to 20 in-lbf using a T20 drive bit.

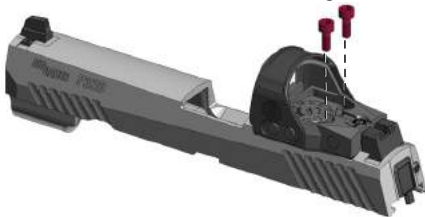




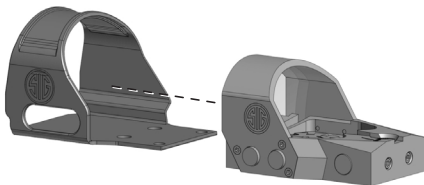
8.4 ROMEO RED DOT OPTIC REMOVAL AND INSTALLATION

8.4.1 ROMEO REMOVAL

1. Use 1/8 in. Hex drive bit to remove the ROMEO mounting screws from the top of the slide.

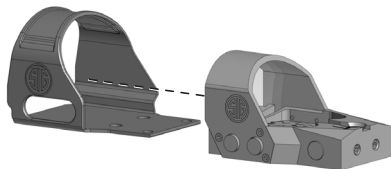


2. Remove the ROMEO from slide and pull it out of shroud (if equipped).

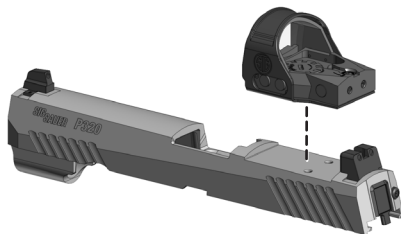


8.4.2 ROMEO INSTALLATION

1. Insert ROMEO into shroud (if equipped).

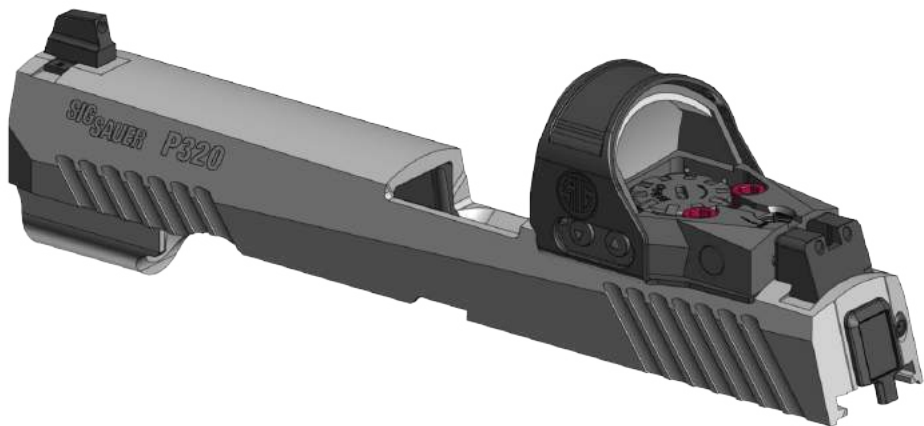


2. Place ROMEO and shroud assembly on slide aligning holes.





3. Install ROMEO screws with 1/8 in. Hex drive bit and torque to 25 in-lbs.
4. Refer to ROMEO manual for zeroing and sight adjustments.



THIS PAGE INTENTIONALLY LEFT BLANK



8.5 COMPENSATOR REMOVAL AND INSTALLATION

8.5.1 COMPENSATOR REMOVAL

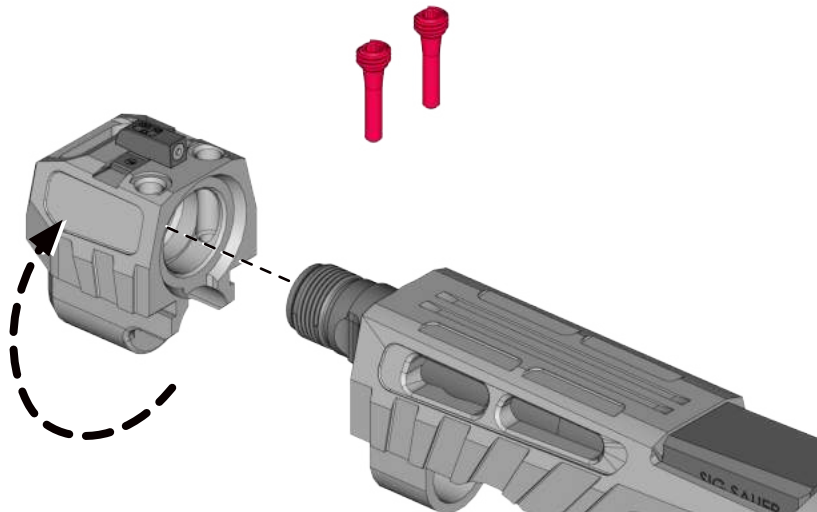
CAUTION

ENSURE COMPENSATOR SCREWS ARE REMOVED PRIOR TO ATTEMPTING COMPENSATOR REMOVAL FROM BARREL. FAILURE TO DO SO WILL RESULT IN DAMAGE TO THE FIREARM.

NOTE

REMOVAL OF COMPENSATOR IS NOT REQUIRED FOR NORMAL PREVENTIVE MAINTENANCE OF THE PISTOL. COMPENSATOR REMOVAL AND REPLACEMENT SHOULD ONLY BE PERFORMED SHOULD THE COMPENSATOR BECOME LOOSE DURING SHOOTING.

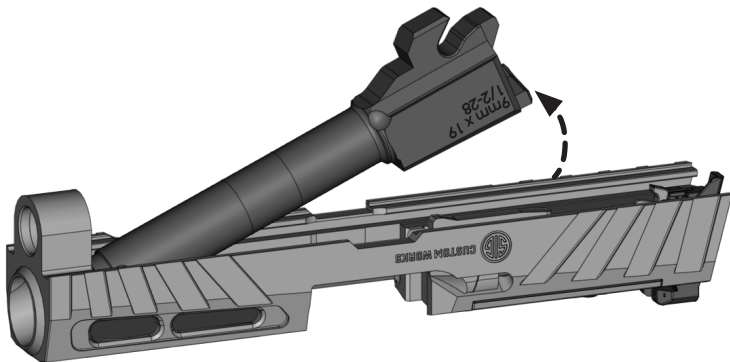
1. Use a drive bit handle with a T10 drive bit to remove compensator attachment screws.
2. Unscrew compensator from barrel.





8.5.1 COMPENSATOR REMOVAL – CONTINUED

3. Remove barrel from slide.



8.5.2 COMPENSATOR INSTALLATION

NOTE

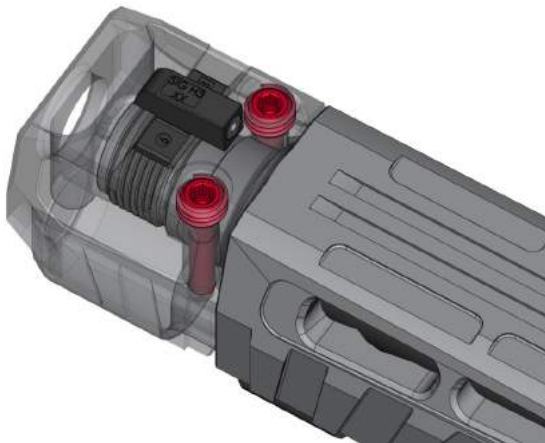
Before installing compensator, clean and degrease the threads of the barrel and compensator.

1. Insert barrel into slide.
2. Apply LOCTITE 246 to threads of barrel and compensator.
3. Thread compensator onto the barrel until it stops. Then unscrew compensator until vertical slots in barrel align with the screw holes in the compensator.





4. Install compensator attachment screws into compensator using a T10 drive bit and apply a final torque of 20 in-lbf. Ensure compensator is secured to barrel.



THIS PAGE INTENTIONALLY LEFT BLANK



8.6 MAGAZINE CATCH REMOVAL AND INSTALLATION



WARNING UNLOAD/CLEAR



VERIFY THAT THE MAGAZINE IS REMOVED. VISUALLY AND PHYSICALLY CONFIRM THAT THE PISTOL IS UNLOADED AND CLEARED BEFORE ATTEMPTING DISASSEMBLY OR PERFORMING ANY MAINTENANCE STEPS. FAILURE TO ENSURE THAT THE FIREARM IS UNLOADED AND CLEARED COULD RESULT IN UNINTENTIONAL DISCHARGE, CAUSING SEVERE INJURY OR DEATH, OR PROPERTY DAMAGE.

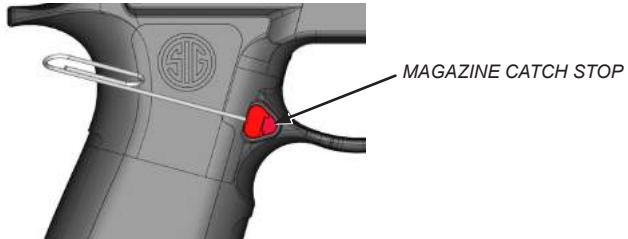
8.6.1 MAGAZINE CATCH REMOVAL

NOTE

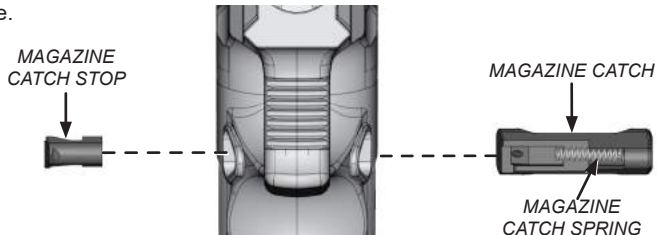
You can perform this procedure with or without the slide removed from the pistol.

1. Ensure that the magazine is removed and the pistol is unloaded and cleared. See section, "5.0 Unloading the Pistol" on page 46.
2. Press the magazine catch until the opposite side of the catch protrudes from the grip module. You should see a small hole in the back of the catch.

3. Press the end of a small round pin such as a paper clip, into the hole of the magazine catch. This will release the magazine catch stop.
4. Work the magazine catch stop out of the magazine catch with the pin, using a back-and-forth motion.



5. Remove the magazine catch stop, magazine catch, and the magazine catch spring from the grip module.



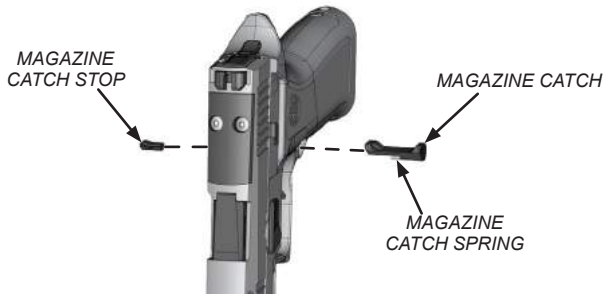


8.6.2 MAGAZINE CATCH INSTALLATION

NOTE

Holding the pistol with the muzzle facing downward will aid in keeping the magazine catch and spring in place for ease of installation.

6. Insert the magazine catch and the spring into the desired side of the grip module and completely depress the magazine catch.
7. Insert the magazine catch stop into the magazine catch until it snaps into place. Release the magazine catch.

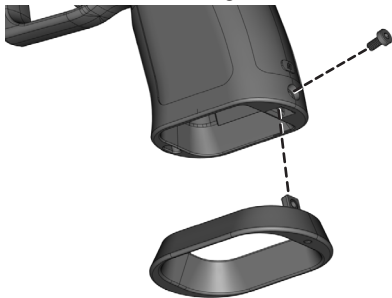


8.7 MAGAZINE FUNNEL REMOVAL AND INSTALLATION

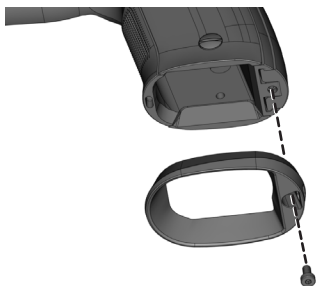
Some P320 pistols come with a detachable magazine funnel. This magazine funnel facilitates faster reloading of the pistol. You can detach it from the P320 grip module by removing the funnel screw.

8.7.1 MAGAZINE FUNNEL REMOVAL

1. For standard magazine funnels use a T10 drive bit to remove funnel screw from rear of grip module and detach magazine funnel.
2. For AXG magazine wells use a T10 drive bit to remove funnel screw from bottom of grip module and detach magazine funnel.



STANDARD MAGAZINE FUNNEL



AXG MAGAZINE FUNNEL



8.7.2 MAGAZINE FUNNEL INSTALLATION

1. Insert tabs of magazine funnel into appropriate slots in bottom of grip module.
2. For standard magazine funnel screw, use a T10 drive bit to thread funnel screw into rear of grip module and tighten to 6 in-lbf.
3. For AXG magazine funnel screw, use a T10 drive bit to thread funnel screw into bottom of grip module and tighten to 11 in-lbf.



STANDARD MAGAZINE FUNNEL



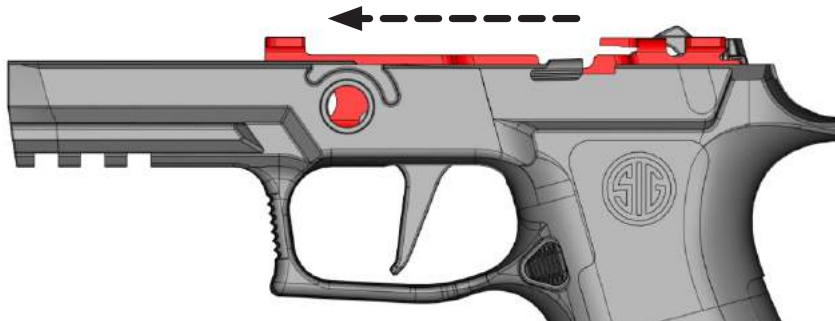
AXG MAGAZINE FUNNEL

8.8 FIRE CONTROL UNIT (FCU) REMOVAL AND INSTALLATION

8.8.1 FCU REMOVAL

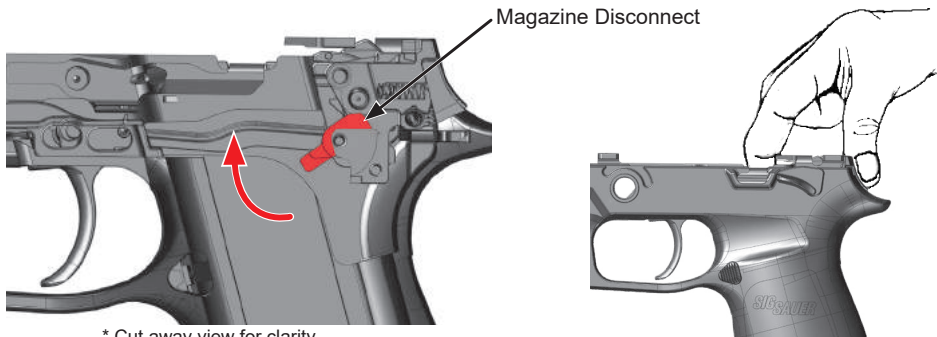
1. Remove slide assembly. Do not disassemble barrel, recoil spring, and recoil spring guide. See section, "7.1 Pistol Disassembly" on page 54".
2. Remove takedown lever (Rotate and pull outward simultaneously).
3. Push FCU forward.

IF YOUR PISTOL IS NOT EQUIPPED WITH A MAGAZINE DISCONNECT MECHANISM, SKIP TO STEP 5.

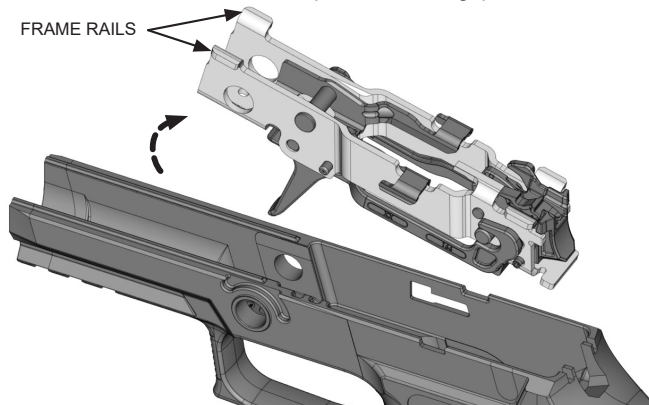




4. If the pistol is equipped with a magazine disconnect mechanism, rearward movement of the trigger cannot be accomplished with the magazine removed.
 - a. To overcome this for disassembly, access the magazine disconnect mechanism through the magazine well of the grip module.
 - b. Slightly lift the magazine disconnect while applying rearward pressure to the trigger allowing it to clear the rectangular cutout in the grip module.



5. Pull up on frame rails, and then rotate FCU up and out from grip module.



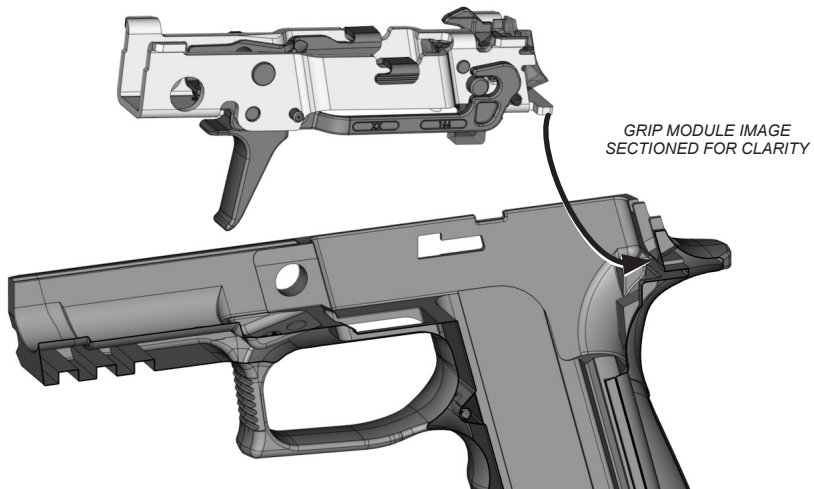
CAUTION

NO FURTHER DISASSEMBLY OF THE FIRE CONTROL UNIT (FCU) IS AUTHORIZED.

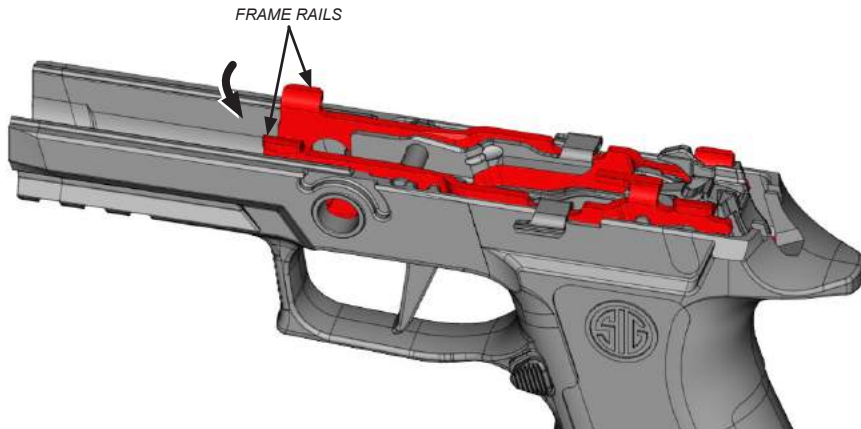


8.8.2 FCU INSTALLATION

1. Insert FCU locking tab into the mating slot inside the rear of grip module.



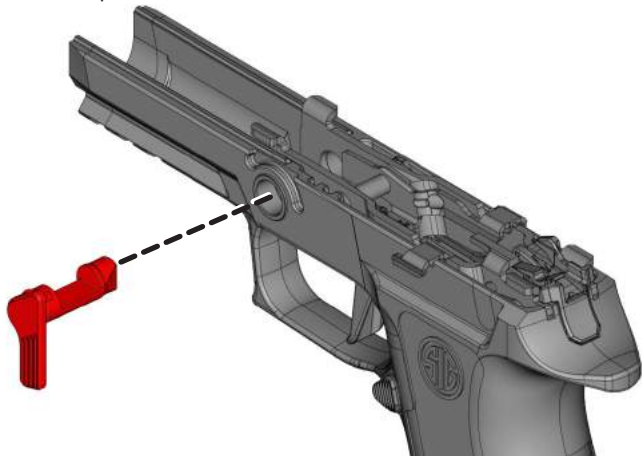
2. Press down on frame rails and pivot FCU into position.





8.8.2 FCU INSTALLATION – CONTINUED

3. Insert takedown lever (turn and push simultaneously) through the grip module and FCU, locking fire control unit in place.



4. Assemble pistol. See section, "7.4 Pistol Assembly" on page 66.

9.0 SIGHTS

**WARNING TRITIUM SIGHTS**

SOME SIG SAUER PISTOLS COME EQUIPPED WITH SIGHTS THAT CONTAIN RADIOACTIVE MATERIAL FOR ILLUMINATION DURING LOW LIGHT CONDITIONS OR HOURS OF DARKNESS. THE SIGHTS ARE MARKED WITH THE LETTERS "SIG" AND "H3." THE RADIATION SOURCE IS HYDROGEN-3 (H3), COMMONLY KNOWN AS TRITIUM. THE ACTIVITY LEVEL OF TRITIUM IN SIG SAUER NIGHT SIGHTS RANGE FROM 12 MCI (MILLI-CURIES) TO 30 MCI. THE OPERATIONAL TEMPERATURE RANGE OF SIG SAUER TRITIUM SIGHTS IS $-30^{\circ}\text{C}/-22^{\circ}\text{F}$ TO $+60^{\circ}\text{C}/+140^{\circ}\text{F}$. THE BETA RADIATION EMITTED BY TRITIUM IS ONLY A HAZARD IF THE TRITIUM VIAL IS BROKEN AND IS INGESTED OR INHALED BY HUMANS. THE BODY DOES NOT EASILY RETAIN HYDROGEN OR TRITIUM AS A GAS. HOWEVER, THE OXIDE HTO, WHICH IS FORMED BY THE BURNING OF TRITIUM IS 10,000 TIMES MORE HAZARDOUS. FOR THIS REASON GREAT CARE SHOULD BE TAKEN TO AVOID FLAME IN THE PRESENCE OF DAMAGED TRITIUM SIGHTS. DISPOSAL OF TRITIUM SIGHTS MUST BE PERFORMED IN A CONTROLLED MANNER. IF YOU SUSPECT THAT THE SIGHT CONTAINING A TRITIUM VIAL HAS BROKEN, DO NOT ATTEMPT TO DISASSEMBLE THE SIGHT. FOLLOW THESE INSTRUCTIONS.

DAMAGED SIGHTS ONLY (SIGHTS REMOVED FROM FIREARM):

PLACE DAMAGED SIGHTS IN A SMALL ZIP LOCK BAG AND LABEL IT "DAMAGED TRITIUM SIGHT DO NOT OPEN," PLACE THE ZIP LOCK BAG IN A SHIPPING ENVELOPE MARKED "NIGHT SIGHT FOR DISPOSAL" AND SEND TO:

SIG SAUER, INC.
357 SIG SAUER DRIVE
JACKSONVILLE, AR 72076

SLIDE WITH DAMAGED SIGHTS:

CALL CUSTOMER SERVICE AT (603) 610-3000 EXT. 1 FOR INSTRUCTIONS AND RETURN AUTHORIZATION.



WARNING TRITIUM SIGHTS



DO NOT DISCARD TRITIUM SIGHTS IN THE TRASH.

AFTER CONTACT WITH A SUSPECTED DAMAGED TRITIUM SIGHT, CAREFULLY WASH YOUR HANDS WITH SOAP AND WATER. DO NOT HANDLE DAMAGED SIGHTS IF YOU HAVE OPEN SKIN CUTS OR ABRASIONS. DO NOT EAT, DRINK, SMOKE OR APPLY COSMETICS IN THE PRESENCE OF A DEFECTIVE SIGHT VIAL.

GENERAL INFORMATION

The SIG SAUER P320 pistol is equipped with drift adjustable fixed sights which have proven their worth under severe conditions. The sights consist of a rear sight and a front sight blade, designed and dimensioned to ensure rapid target acquisition even when visibility is poor. Some P320 models are equipped with a fully adjustable rear sight.

CAUTION

SIG SAUER SUGGESTS THAT FIXED-SIGHT CORRECTIONS SHOULD BE PERFORMED ONLY BY A CERTIFIED SIG SAUER ARMORER OR CERTIFIED GUNSMITH. OTHERWISE THE PISTOL COULD BECOME DAMAGED.

9.1 WINDAGE (LEFT/RIGHT) ADJUSTMENT



WARNING SIGHT ADJUSTMENT

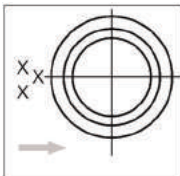


SIGHT CORRECTIONS SHOULD ONLY BE PERFORMED ON AN UNLOADED FIREARM. MANIPULATING THE SIGHTS ON A LOADED FIREARM COULD RESULT IN UNINTENTIONAL DISCHARGE, CAUSING SEVERE INJURY OR DEATH, OR PROPERTY DAMAGE. VISUALLY AND PHYSICALLY CONFIRM THE PISTOL IS UNLOADED AND CLEARED BEFORE MAKING SIGHT ADJUSTMENTS. DO NOT ADJUST SIGHTS ON A LOADED FIREARM.

Change windage by moving the rear sight either to the left or right in its dovetail. When you do this, follow the rear sight rule: Move the rear sight in the direction you want the group to go. Moving the rear sight 0.020" in the dovetail changes the point of impact by approximately 3" at 25 yards.

NOTE

SIG SAUER has a Sight Adjustment Tool available that makes it easier to adjust and change fixed sights.

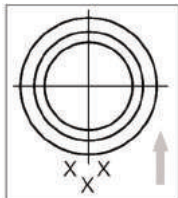


Impact left of point of aim



9.2 ELEVATION (UP/DOWN) ADJUSTMENT

There are different height combinations available for the front and rear sights. The sights are numbered according to their height. You can change elevation by changing either the rear or front sight. It's easier if you change the rear sight first. There are six rear sight heights available. Each rear sight change will move the impact of the bullet approximately 2" at 25 yards. There are five front sight heights available. Each front sight change will move the impact of the bullet approximately 1" at 25 yards.



Impact below point of aim

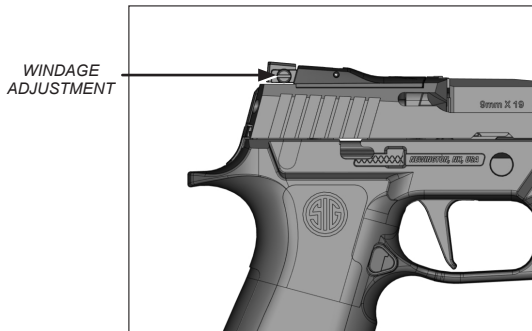
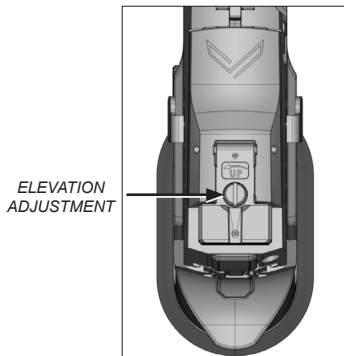
When changing sights, remember this rule: **NUMBERS UP, GROUPS UP; NUMBERS DOWN, GROUPS DOWN**. This is true for both front & rear sights.

9.3 SIGHT ADJUSTMENT P320 XSERIES PISTOL

Some P320 pistols have a fully adjustable rear sight.

Elevation: Counterclockwise rotation of the screw will raise the rear sight, moving the point of impact up. Clockwise rotation of the screw will lower the rear sight, moving the point of impact down.

Windage: Counterclockwise rotation of the windage screw will move the rear sight aperture left, moving the point of impact left. Clockwise rotation of the screw will move the rear sight aperture right, moving the point of impact right.





10.0 STORAGE AND TRANSPORTATION

STORAGE



WARNING UNLOAD/CLEAR



YOU MUST UNLOAD AND CLEAR THE FIREARM PRIOR TO STORING THE PISTOL (SEE SECTION, "5.0 UNLOADING THE PISTOL" ON PAGE 46).

Never place or store any firearm in such a manner that it may be dislodged. Firearms should always be stored securely and unloaded, away from children and other unauthorized users. Use the locking device originally supplied with this firearm for storage. The use of a locking device or safety lock is only one aspect of responsible firearms storage. For increased safety, firearms should be stored unloaded and locked in a location that is both separate from their ammunition and inaccessible to children and any other unauthorized person.

Short-Term Storage (90 days or less)

1. Ensure that the chamber and magazine do not contain live ammunition.
2. Clean the bore and chamber.
3. Apply a light coat of CLP to the chamber and bore.
4. Apply a light coat of CLP to all other metal surfaces for corrosion protection.

Long-Term Storage (90 days or longer)

1. Ensure that pistol is thoroughly cleaned.
2. Apply a heavy coat of CLP to the chamber and bore.
3. Apply a heavy coat of CLP to all other metal surfaces for corrosion protection.
4. Wrap the firearm with a waterproof material (MIL-B-121 or similar).
5. Place the firearm in a corrosion resistant barrier bag (MIL-DTL-117 or similar).

Environmental Storage

Provide humidity control to limit the relative humidity to no greater than 40% RH at 80 degrees Fahrenheit (26.7 degrees Celsius). If personnel will be working in these areas, design to 68 degrees F (20.0 degrees C) dry bulb and 40% RH for indoor design heating conditions, and 75 degrees F (23.9 deg C) dry bulb and 40% RH for indoor design cooling conditions.



TRANSPORTATION



WARNING UNLOAD/CLEAR



YOU MUST UNLOAD AND CLEAR THE FIREARM PRIOR TO TRANSPORTING THE PISTOL (SEE SECTION, "5.0 UNLOADING THE PISTOL" ON PAGE 46).

IT IS YOUR RESPONSIBILITY TO FAMILIARIZE YOURSELF WITH THE LAWS OF ANY STATE YOU ARE PLANNING TO TRAVEL THROUGH WITH YOUR FIREARM.

When transporting your firearm to and from shooting activities, keep it unloaded for your safety and for the safety of others. When storing your firearm for transportation, keep it separated from ammunition, under lock and key if possible, and out of the reach of children and other inexperienced or unauthorized persons.

If transporting the firearm in a vehicle, ensure that it is secured within the confines of the vehicle. Should the vehicle become involved in an accident, you do not want the firearm to become dislodged and move about the interior of the vehicle or be ejected from the vehicle.

11.0 SERVICE AND PARTS POLICY

PARTS POLICY



WARNING PARTS REPLACEMENT

IMPROPER FITTING OF PARTS MAY RESULT IN A DANGEROUS MALFUNCTION, DAMAGE TO THE FIREARM, AND SERIOUS INJURY TO THE SHOOTER AND OTHER PERSONS.

Our Service Department maintains a full complement of replacement parts. Even though most gunsmiths have the knowledge, training, and the ability to make necessary repairs to your firearm, the skill and workmanship of any particular gunsmith is totally beyond our control.

Should your firearm ever require service, we strongly recommend that you return it to SIG SAUER. A firearm is a precision instrument and some replacement parts will require individual fitting to ensure correct operation. A wrong part, improper fitting, or incorrect mechanical adjustment may result in an unsafe condition or dangerous malfunction, damage to the firearm, or cause possible serious injury to the shooter or others.

IF ANY PART IS ORDERED WITHOUT RETURNING THE FIREARM TO SIG SAUER INC., the customer bears full responsibility for ensuring that the part supplied is correct for their particular firearm and is properly installed and fitted by a qualified gunsmith.

It is the purchaser's responsibility to be absolutely certain that any parts ordered from the factory are correctly fitted and installed. Firearms are complicated mechanisms and the purchaser and installer of parts must accept full responsibility for the correct adjustment and functioning of the firearm after such installation. SIG SAUER IS NOT RESPONSIBLE FOR THE FUNCTIONING OF ANY FIREARM IN WHICH REPLACEMENT PARTS ARE INSTALLED BY OTHERS.



SERVICE POLICY

If you have questions concerning the performance or servicing of your firearm, please write or call:

SIG SAUER, Inc.

Attention: Customer Service

18 Industrial Drive, Exeter, NH 03833

Phone: (603) 610-3000 ext. 1

Fax: (603) 766-7002

IF YOU DO NOT UNDERSTAND THE INSTRUCTIONS FOR OPERATING YOUR PISTOL, IT IS YOUR RESPONSIBILITY TO CALL OUR CUSTOMER SERVICE DEPARTMENT AT (603) 610-3000 EXT. 1 BEFORE USING YOUR FIREARM.

11.1 SHIPPING FIREARMS FOR REPAIR



WARNING DO NOT SHIP AMMUNITION



DO NOT SHIP A LOADED FIREARM. IF YOU NEED TO SHIP YOUR FIREARM TO SIG SAUER, DO NOT SHIP AMMUNITION, EITHER IN THE FIREARM OR SEPARATELY IN THE SHIPPING PACKAGE.

In the event that you need to return your firearm to the SIG SAUER Service Department, here's what to do:

1. Contact Customer Service at (603) 610-3000 ext. 1 for a return merchandise authorization (RMA) number, which will allow SIG SAUER to track the status of your return from its receipt at SIG SAUER through its return to you. Please do not send your firearm until you obtain an RMA number.
2. Make sure that the chamber and magazine(s) are unloaded and that no ammunition is included with your returned firearm.
3. Package the firearm securely to prevent damage. Enclose a letter that includes your name, street address, daytime phone number, model and serial number, and a detailed description of the problem you have experienced or the work that you want performed. With the exception of extra magazines, do not include any other accessories such as scopes or mounts.

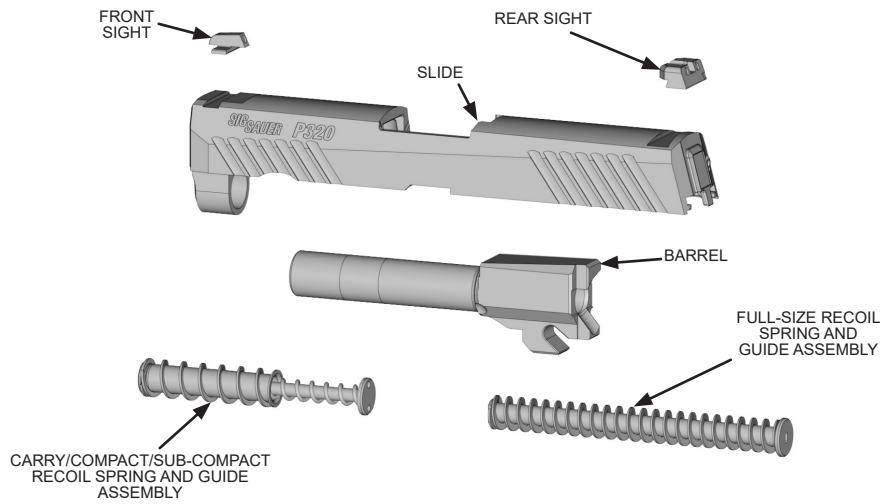


4. Generally, an individual may ship firearms to the manufacturer for repair or service. Some states and localities, however, prohibit this. If you live in such an area, the firearms must be shipped by and returned to a federally licensed firearms dealer.
5. Federal law prohibits persons who do not possess a Federal Firearms License (FFL) from shipping a firearm via the U.S. Postal Service. (Note: any shipment of firearms outside U.S. borders is subject to the export laws of the United States and to the valid laws of the specific country, which you must strictly follow; prior to exporting any firearm you should seek legal counsel.)
6. SIG SAUER is not responsible for any firearm until it is received, nor for damage incurred during shipment.
7. Ship your firearms insured and prepaid (we do not accept collect shipments) to:

SIG SAUER, Inc.
Attention: Service Department
18 Industrial Drive Exeter, NH 03833

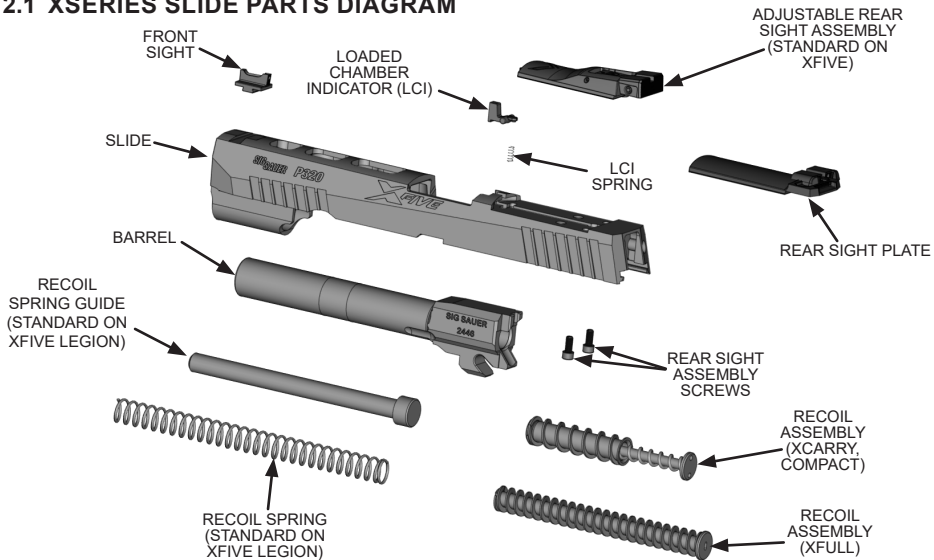
Don't forget to write your RMA number on the package. A copy of this instruction manual should always accompany this pistol and be transferred with it upon change of ownership.

12.0 STANDARD SLIDE PARTS DIAGRAM

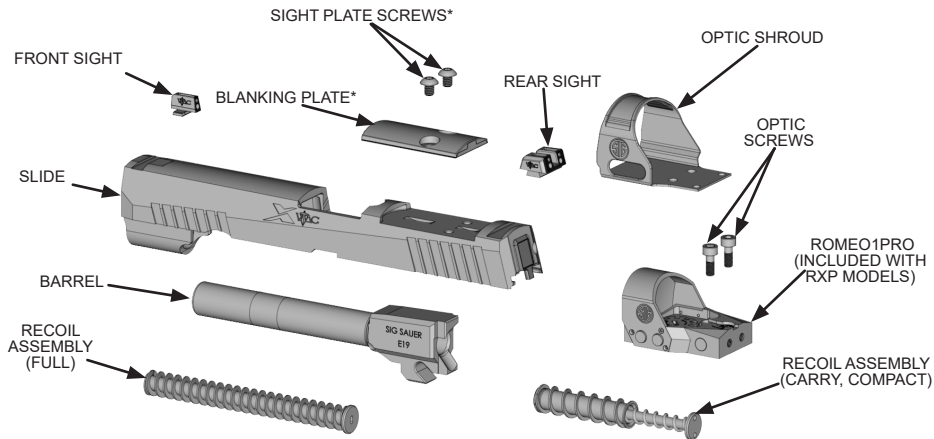




12.1 XSERIES SLIDE PARTS DIAGRAM



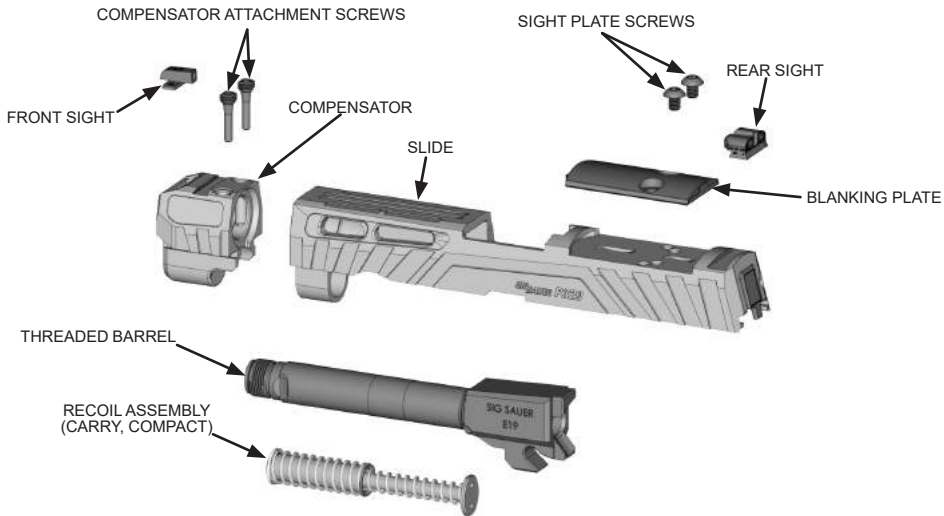
12.2 P320-RXP/XVTAC SLIDE PARTS DIAGRAM



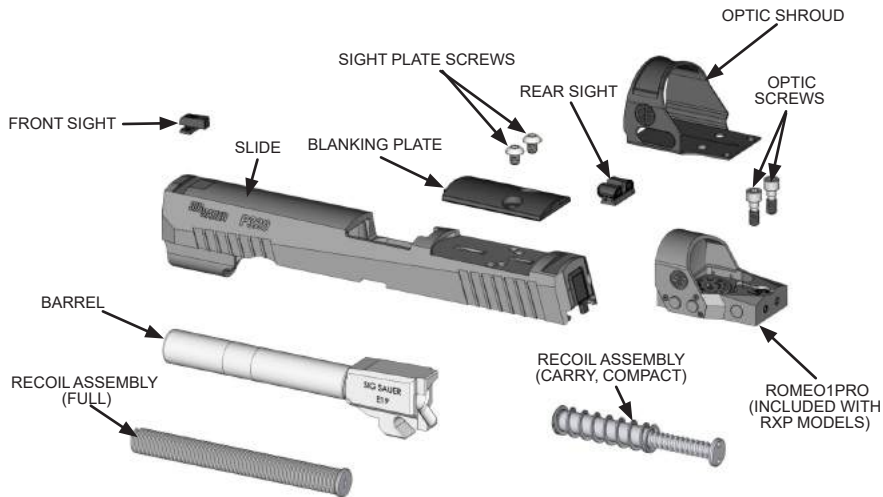
* Blanking plate and screws included with XSERIES RXP. Optional on standard RXP models.



12.3 P320 SPECTRE COMPENSATED SLIDE PARTS DIAGRAM

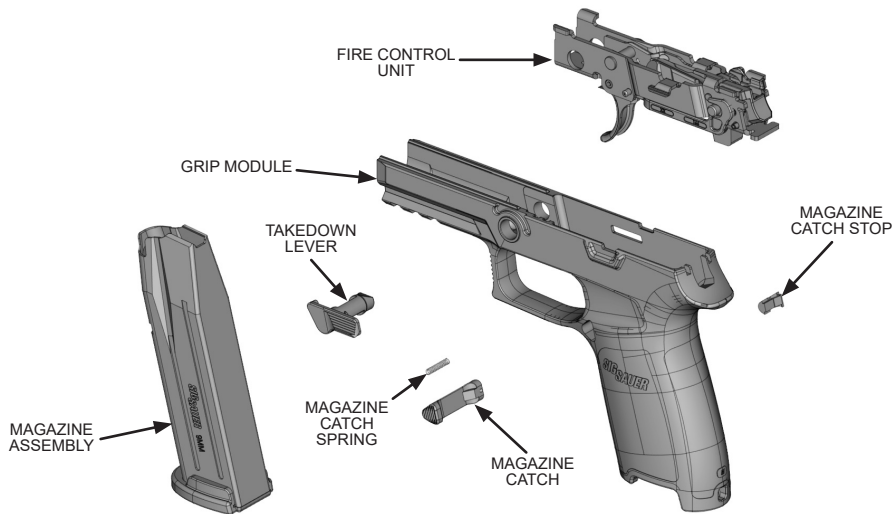


12.4 P320 PRO SLIDE PARTS DIAGRAM

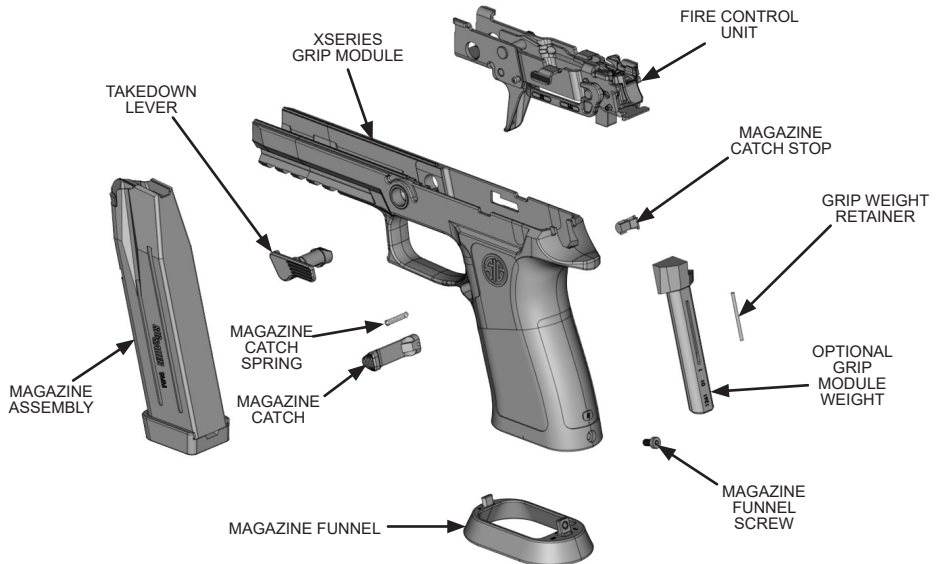




12.5 STANDARD FRAME PARTS DIAGRAM

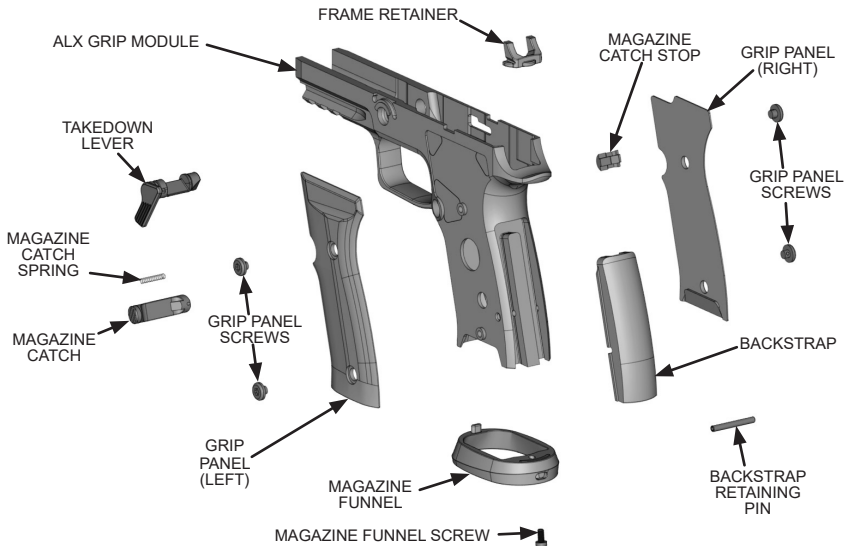


12.6 XSERIES FRAME PARTS DIAGRAM





12.7 AXG FRAME PARTS DIAGRAM



13.0 TECHNICAL SPECIFICATIONS

The following information applies to all P320 models.¹

- Striker-fired system.
- Left hand or right hand operation (magazine catch repositions to either side, slide catch lever functions from both sides).
- Glass reinforced grip module or, alloy steel with integral accessory rail.
- Interchangeable grip modules available to fit to individual shooter hands.
- Two trigger styles (standard curved, and straight).
- Grip modules feature stippled gripping surface for positive control.
- Solid high-strength stainless steel slide with front and rear cocking serrations.
- High-contrast or SIGLITE® Night Sights in different heights.
- VTAC®, X-RAY® Night Sights, and Dawson Precision® adjustable sights available with select XSERIES models.

13.1 SPECIFICATIONS BY MODEL

Specification tables for each P320 model are available on-line at, sigsauer.com.

¹ Specifications are approximate and subject to change without notice.



SIG SAUER® FIREARMS LIMITED LIFETIME WARRANTY

SIG SAUER warrants that the enclosed firearm was originally manufactured free of defects in material, workmanship, and mechanical function. For the lifetime of the original purchaser, SIG SAUER agrees to correct any defect in the firearm for the original purchaser by repair, adjustment, or replacement, at SIG SAUER's option, with the same or comparable quality components (or by replacing the firearm at SIG SAUER's option); provided however that a Return Merchandise Authorization (RMA) is first obtained by contacting SIG SAUER Customer Service, and the firearm is returned unloaded and freight prepaid to:

SIG SAUER
18 Industrial Drive,
Exeter, NH 03833.

This limited warranty is null and void if the firearm has been misused, damaged (by accident or otherwise), fired with handloaded, reloaded, or improper ammunition, fired with an obstruction in the barrel, damaged through failure to provide reasonable and necessary maintenance as described in the manual accompanying the firearm, or if unauthorized repair or any alteration, including of a cosmetic nature, has been performed on the firearm. This limited warranty does not apply to normal wear and tear of any parts.

Subject to the foregoing, this limited warranty confers the right to have the covered firearm or its parts repaired, adjusted, or replaced exclusively upon the original purchaser, which right is not transferable to any other person. This warranty does not apply to any accessory items attached or appurtenant to the firearm.

ANY WARRANTIES IMPLIED BY LAW, INCLUDING ANY IMPLIED WARRANTIES OF MERCHANTABILITY OR FITNESS FOR A PARTICULAR PURPOSE, ARE EXPRESSLY DISCLAIMED. REPAIR, ALTERATION, OR REPLACEMENT AS PROVIDED HEREIN IS YOUR EXCLUSIVE REMEDY FOR ANY DEFECTIVE PRODUCT. IN NO EVENT SHALL SIG SAUER OR ANY COMPANY AFFILIATED WITH SIG SAUER BE LIABLE FOR ANY SPECIAL, INCIDENTAL, OR CONSEQUENTIAL DAMAGES OF ANY KIND ARISING OUT OF THE PURCHASE OR USE OF THIS PRODUCT, WHETHER BASED UPON CONTRACT, TORT, STATUTE, OR OTHERWISE.

Some states do not allow the exclusion or limitation of implied warranties, or the exclusion or limitation of incidental or consequential damages, so some or all of the above limitations or exclusions may not apply to you. This warranty gives you specific legal rights, and you may also have other rights which vary from State to State.

THIS WARRANTY APPLIES TO U.S. COMMERCIAL CUSTOMERS ONLY, AND DOES NOT APPLY TO GOVERNMENT, MILITARY, LAW ENFORCEMENT, OR NON-US CUSTOMERS. NON-US CUSTOMERS SHOULD CONTACT THEIR LOCAL DEALER OR DISTRIBUTOR FOR APPLICABLE WARRANTY COVERAGE.



SIG SAUER® LIMITED LIFETIME FCU WARRANTY

SIG SAUER warrants that the enclosed Fire Control Unit (FCU) was originally manufactured free of defects in material, workmanship, and mechanical function. For the lifetime of the original purchaser, SIG SAUER agrees to correct any defect in the product for the original purchaser by repair, adjustment, or replacement, at SIG SAUER's option, with the same or comparable quality components (or by replacing at SIG SAUER's option; provided however that a Return Merchandise Authorization (RMA) is first obtained by contacting SIG SAUER Customer Service, and that the product is returned unloaded and freight prepaid to:

SIG SAUER
18 Industrial Drive,
Exeter, NH 03833.

Provided that an FCU is assembled using a factory SIG SAUER slide assembly, barrel, guide rod assembly, and grip module assembly, the resulting complete firearm will be covered by this limited warranty. Assembly of the FCU using aftermarket parts voids the application of this warranty to the completed firearm.

This limited warranty is null and void if the FCU has been misused; damaged (by accident or otherwise); fired with handloaded, reloaded, or improper ammunition; fired with an obstruction in the barrel; damaged through failure to provide reasonable and necessary maintenance as described in the accompanying owner's manual; or if unauthorized repair or any alteration, including of a cosmetic nature, has been performed on the FCU or firearm assembled from the FCU. This limited warranty does not apply to normal wear and tear of any parts. Subject to the foregoing, this limited warranty confers the right to have the covered firearm or its parts repaired, adjusted, or replaced exclusively upon the original purchaser, which right is not transferable to any other person. This warranty does not apply to any accessory items attached or appurtenant to the FCU or firearm assembled from the FCU.

ANY WARRANTIES IMPLIED BY LAW, INCLUDING ANY IMPLIED WARRANTIES OF MERCHANTABILITY OR FITNESS FOR A PARTICULAR PURPOSE, ARE EXPRESSLY DISCLAIMED. REPAIR, ALTERATION, OR REPLACEMENT AS PROVIDED HEREIN IS YOUR EXCLUSIVE REMEDY FOR ANY DEFECTIVE PRODUCT. IN NO EVENT SHALL SIG SAUER OR ANY COMPANY AFFILIATED WITH SIG SAUER BE LIABLE FOR ANY SPECIAL, INCIDENTAL, OR CONSEQUENTIAL DAMAGES OF ANY KIND ARISING OUT OF THE PURCHASE OR USE OF THIS PRODUCT, WHETHER BASED UPON CONTRACT, TORT, STATUTE, OR OTHERWISE.

Some states do not allow the exclusion or limitation of implied warranties, or the exclusion or limitation of incidental or consequential damages, so some or all of the above limitations or exclusions may not apply to you. This warranty gives you specific legal rights, and you may also have other rights which vary from State to State.

THIS WARRANTY APPLIES TO U.S. COMMERCIAL CUSTOMERS ONLY, AND DOES NOT APPLY TO GOVERNMENT, MILITARY, LAW ENFORCEMENT, OR NON-US CUSTOMERS. NON-US CUSTOMERS SHOULD CONTACT THEIR LOCAL DEALER OR DISTRIBUTOR FOR APPLICABLE WARRANTY COVERAGE.

THE SIG SAUER® LIMITED LIFETIME FCU WARRANTY ONLY APPLIES TO INDIVIDUALLY PURCHASED FIRE CONTROL UNITS AND NOT ENTIRE PISTOLS



SIG SAUER®

[sigsauer.com](https://www.sigsauer.com)

SIG SAUER, Inc.
72 Pease Boulevard, Newington, NH 03801 USA

All trademarks, service marks, trade names, trade dress, product names and logos appearing in this manual are the property of their respective owners. No trademark or service mark appearing in this manual may be used without written consent of the mark's owner.